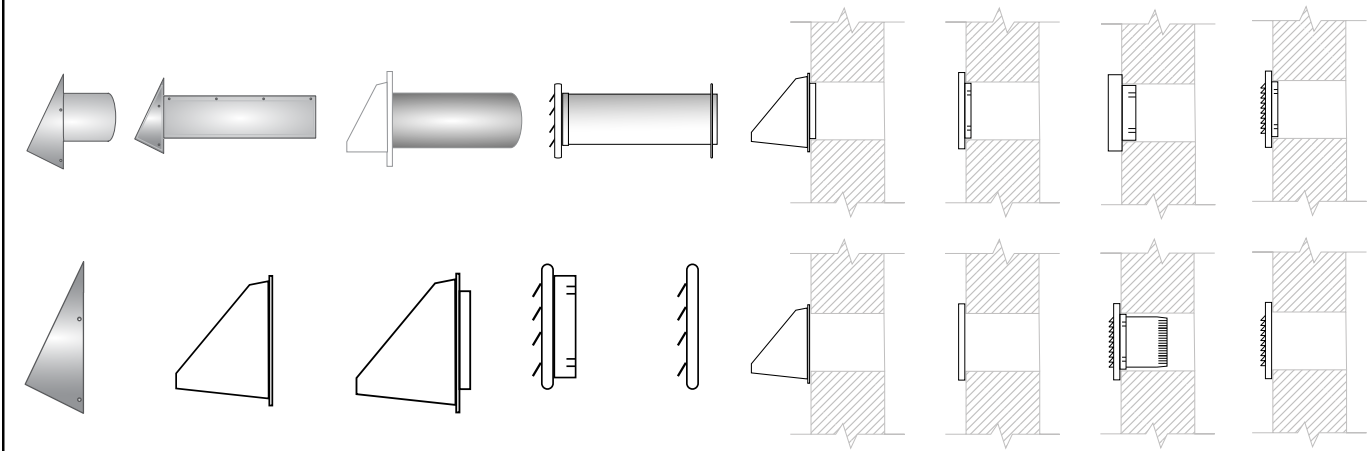


Instructions for Through Wall Vent Hoods: Models: GWM, AWM, GSM, ASM, ARR AFL, PEV, PFL, PWM, PML, With and without tailpipes, With and without rings

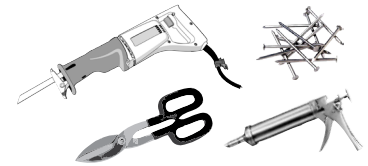


General Recommendations

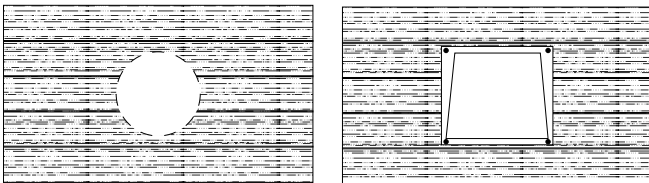
- Follow local building codes, standards and regulations.
- Hoods used for dryer venting should not have screens due to lint build-up.
- Hoods used for intakes should not have dampers.
- Ideally, the backplate of the vent hood should be flush to the outer wall.

Tools needed:

- Reciprocating saw or jigsaw
- Tin snips
- Caulk or Adhesive
- Screws

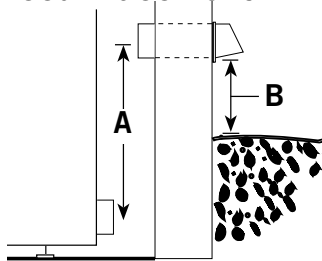


Basic Steps



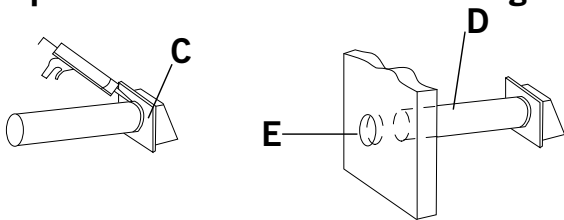
1. Cut a hole approximately 1/2" larger than and corresponding to the size and shape of the vent's duct.
 2. Insert the vent hood tail (if applicable) into the opening. Ensure Hood opening is centered on cut hole.
 3. Adhesive or caulking can be applied to the back side of the backplate.
 4. Use pre-drilled holes (if available) in the back plate for screws to secure the vent hood to the wall. Screws should be installed PERPENDICULAR to the wall and tightened until screw head is snug against hood.
 5. Attach the duct to the vent hood.
- (NOTE: Over tightening will distort the hood and prevent the flapper from operating properly.)**

Dryer Vent Hood Placement



- Do not try to line up the dryer vent with the vent hood tailpipe.
- A - Cut a 4" (10.2 cm) diameter hole in the wall approximately two feet (61 cm) A from the dryer vent. (This makes it easier to match the dryer venting.)
- B - Keep the vent hood at least 12" (30.5 cm) B from the ground or any object outside the building.

Example Hood with Tail and Trim Ring



- Remove trim ring (if applicable) from the vent hood. Caulk back of face plate C.
- From the outside, insert vent through the hole until face plate C is against outside surface D. Secure with screws (not included).
- From inside, slide the trim ring E over vent so it is against the inside wall. Secure with screws (not included) or adhesive.



BuildersBest.com
Built by Builder's Best, Inc.
Jacksonville, TX 75766



Made in the U.S.A.
Hecho en EE.UU.
Lit.No. 905-HoodInstructions V4
12/12/25