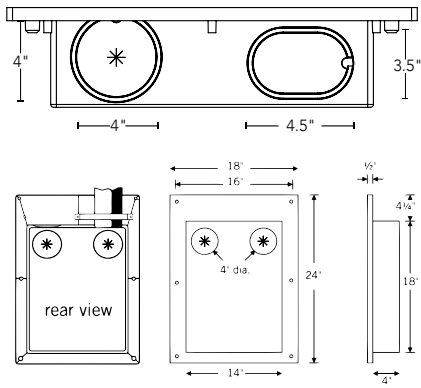


Instructions for: Builder's Best Dryer Outlet Box Model DOB-P



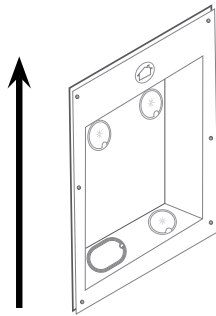
- One Self trimming unit: 18" wide by 24" high
- Fits all 16" centers 2x4's and 2x6's;
- Six patented rip-tab knockouts in most common positions
 - Four true 4" diameter knockouts
 - Two 3" x 4.5" oval knockouts (left upper and lower)*Oval knockouts are provided for non-standard connections to existing venting (i.e. squashed duct), or for a round to oval adapter.*
- 4 starburst knockouts for gas connections and venting
- 6 pre-drilled mounting holes
- Plastic meets UL® standard 94 HB tests for flammability
- Six screws

Part numbers covered:
 110697 bulk 10 per case
 110698 3 individual boxes
 110696 3 display boxes
 111563 with round to oval adapter
 111000 with Aluminum Periscope for 8' ceiling and two rectangle to round adapters
 111001 with Aluminum Periscope for 10' ceiling and two rectangle to round adapters

US Patent 10,125,899

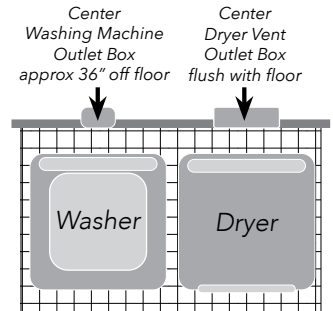
STEP 1

Orient box with largest flange of face plate at top. (House logo is on this flange.)



STEP 2

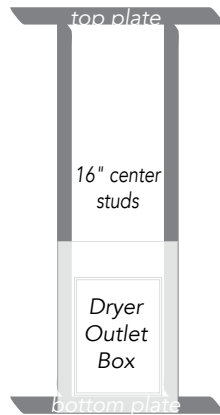
Place box on floor. Choose studs which are centered in area dryer will be placed. The box is made to fit standard 16" center construction.



STEP 3

With box on the floor, use 6 screws included (#10 - 2½" wood screws recommended) inserted into indentions provided to secure box to studs.

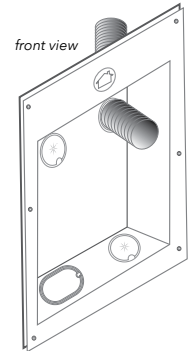
Do not completely secure box. Leave room between box and studs for dry-wall. Hand tighten just enough to hold the box in position.



STEP 4

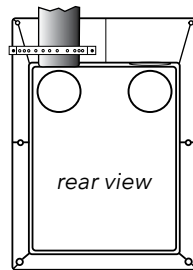
We recommend standard 4" diameter metal venting, as specified by the building codes. Oval knockouts are provided for non-standard connections to existing venting, or for with a round to oval adapter.

If you have purchased the kits with periscopes, connect these segments now and continue the run to the outside.



STEP 5

For top venting, we recommend you use standard strapping to secure the pipe to the box. Use 2 screws (#10 - ½" sheet metal screws recommended) to secure strapping to mounting holes provided on each side of knockouts.



STEP 6

Once the venting through the top plate has been secured, the dry wall can be installed. Slide the drywall behind the face-plate sections. It will fit between the face-plate and the studs and butt up against the standoffs.

STEP 7

After the drywall is installed, tighten the screws on the dryer outlet box. This will pull the face plate up against the dry wall for a neat clean trim.

