



**Builder's Best, Inc.**  
 201 Broiles Drive  
 Jacksonville, TX 75766  
 888-368-7233  
 fax: 800-259-8368  
 www.BuildersBest.com

# INCREASER & REDUCER

## PRODUCT SPECIFICATIONS

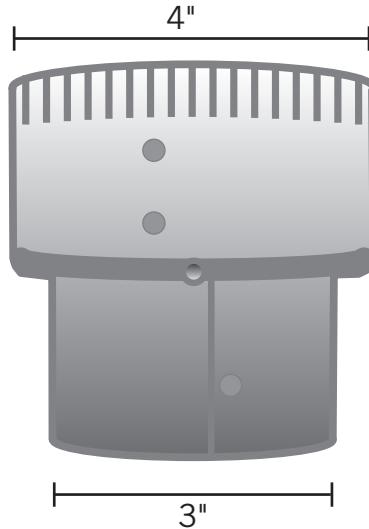
- Connect ducts of different diameters



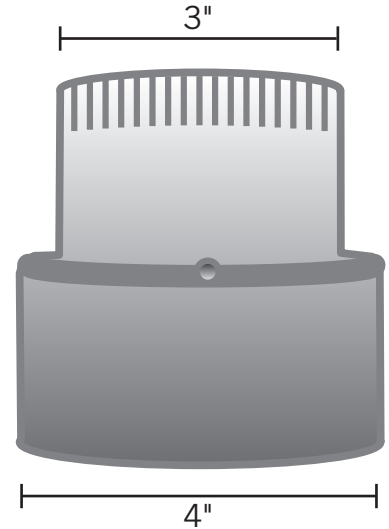
Aluminum increaser/  
 reducer 3" to 4"  
 PN 110493



Aluminum reducer/  
 increaser 4" to 3"  
 PN 110492



Aluminum increaser/  
 reducer 3" to 4"  
 PN 110493



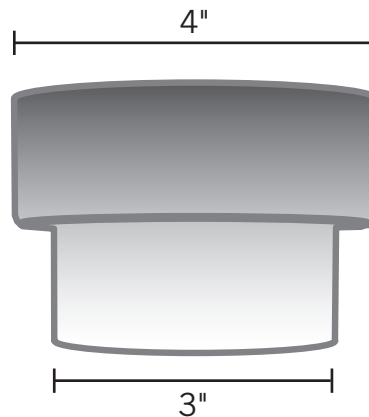
Aluminum reducer/  
 increaser 4" to 3"  
 PN 110492

## PART NUMBERS

Description	Part #	Qty	Package
Aluminum increaser 3" to 4"	110493	12	Bulk
Aluminum Reducer 4" to 3"	110492	12	Bulk



Plastic increaser/reducer  
 PN 110290



Plastic increaser/reducer  
 PN 110290

Description	Part #	Qty	Package
Plastic increaser/reducer 3"/4"	110290	10	Bulk

## WARRANTY

Manufacturer assumes no responsibility for failure due to improper installation. All specifications and designs are subject to change without notice and without incurring liability.

**WARRANTY EXCLUSION AND DISCLAIMER** Seller specifically excludes, and hereby disclaims any express representation or express warranty of any kind with respect to the goods ordered hereunder. All implied warranties, including without limitation merchantability or fitness for a particular purpose or arising from a course of dealing or usage or trade shall expire and cease 45 days after date of delivery. Seller shall not be liable to buyer or any third party for any special, secondary, incidental, or consequential damages however arising. Nothing in this provision shall invalidate or restrict any right or remedy otherwise available under state or federal law. Materials and specifications subject to change without notice.

Aluminum increaser/reducers Made in USA  
 Plastic increaser/reducers Made in Canada

Increaser & Reducer V2 9/12/16