



**Builder's Best, Inc.**  
201 Broiles Drive  
Jacksonville, TX 75766  
888-368-7233  
fax: 800-259-8368  
www.BuildersBest.com

# DRAFT STOPPER

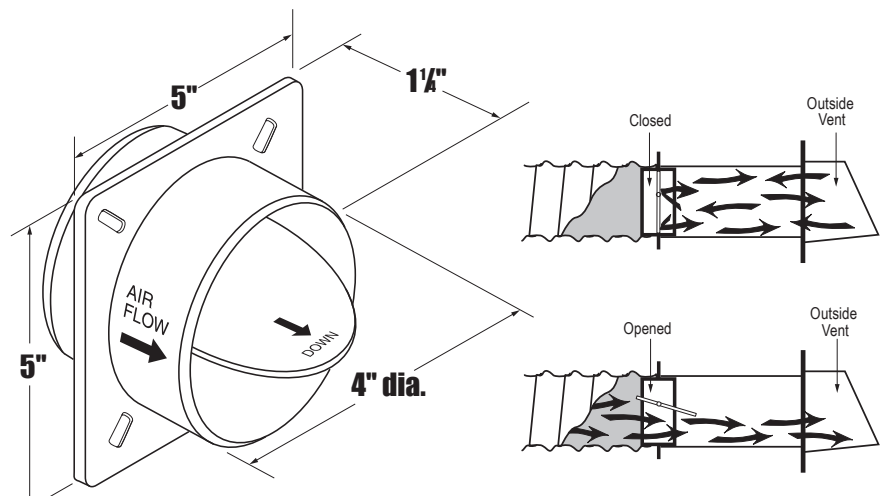


## PRODUCT SPECIFICATIONS

- Helps prevent cold air from entering home through clothes dryer by inserting between clothes dryer duct and wall pipe.
- Back draft damper for dryer venting.
- White Plastic
- Calcium filled polypropylene
- Melting point: 325° F

## PART NUMBERS

Diameter	Part #	Qty	Package
4"	111577	6	Bulk



## WARRANTY

Manufacturer assumes no responsibility for failure due to improper installation. All specifications and designs are subject to change without notice and without incurring liability.

**WARRANTY EXCLUSION AND DISCLAIMER** Seller specifically excludes, and hereby disclaims any express representation or express warranty of any kind with respect to the goods ordered hereunder. All implied warranties, including without limitation merchantability or fitness for a particular purpose or arising from a course of dealing or usage or trade shall expire and cease 45 days after date of delivery. Seller shall not be liable to buyer or any third party for any special, secondary, incidental, or consequential damages however arising. Nothing in this provision shall invalidate or restrict any right or remedy otherwise available under state or federal law. Materials and specifications subject to change without notice.