



Builder's Best, Inc.
 201 Broiles Drive
 Jacksonville, TX 75766
 888-368-7233
 fax: 800-259-8368
 www.BuildersBest.com

SAF-T-DUCT® FOIL TAPE - MODEL 2158A



SPECIFICATIONS

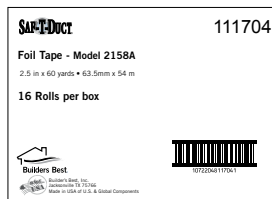
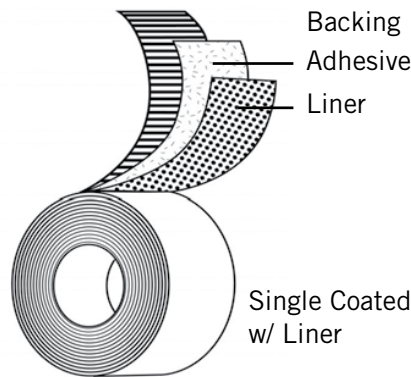
- 2.5" wide by 60 yard length
- Aluminum foil printed backing
- Aggressive acrylic adhesive protected by a bleached kraft paper liner
- Complies with VOC requirements of SCAQMD Rule 1168
- Meets UL® 181A-P standard for use on fiberglass duct closure systems
- Meets UL® 181B-FX standard for use on flexible duct closure systems

FEATURES AND BENEFITS

- Used to seal connections between Class 0 & Class 1 ducts and air connectors
- Easy unwind
- Excellent adhesion to duct
- Provides long-term anchorage and strong cohesive bond for long-term durability
- Superior adhesion even at extremely low or high temperatures

PART NUMBERS

Description	Part #	Qty	Package	UPC
2.5" x 60 yards	111704	16	Display Label	•



Text	Typical Value	Test Method
Total Thickness:	4.9 mills	(ASTM D-1000)
Adhesion to Steel:	68 oz./in.	(PSTC-1)
Adhesion to Backing:	60 oz./in.	(PSTC-1)
Tensile Strength:	23 lb./in.	(ASTM D-1000)
Operating Temperature Range:	-28°F to 325°F	
Installation Temperature Range:	-10°F to 200°F	
Flame Speed:	3	(UL® 723)
Smoke Developed:	0	(UL® 723)
VOC Content:	<30 g/l	
Recommended storage conditions:	40-60% Humidity, 60°F - 80°F	

LABELS



Made in the U.S.A.

WARRANTY

Manufacturer assumes no responsibility for failure due to improper installation. All specifications and designs are subject to change without notice and without incurring liability.

WARRANTY EXCLUSION AND DISCLAIMER Seller specifically excludes, and hereby disclaims any express representation or express warranty of any kind with respect to the goods ordered hereunder. All implied warranties, including without limitation merchantability or fitness for a particular purpose or arising from a course of dealing or usage or trade shall expire and cease 45 days after date of delivery. Seller shall not be liable to buyer or any third party for any special, secondary, incidental, or consequential damages however arising. Nothing in this provision shall invalidate or restrict any right or remedy otherwise available under state or federal law. Materials and specifications subject to change without notice.