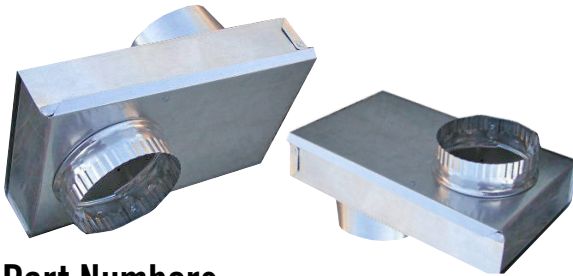




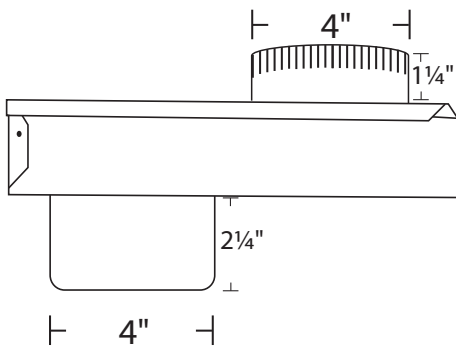
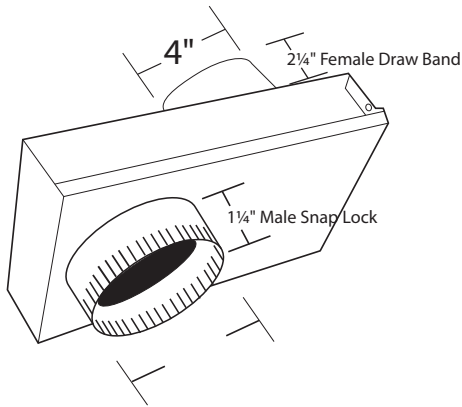
Builder's Best, Inc.
 201 Broiles Drive
 Jacksonville, TX 75766
 888-368-7233
 fax: 800-259-8368
 www.BuildersBest.com

0-5" Periscope



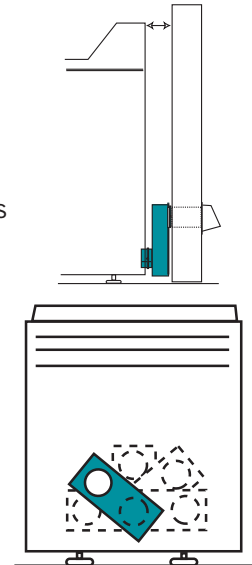
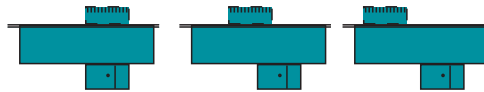
Part Numbers

Length	Part #	Qty	Package	UPC
0-5"	with baffle	110175	9	Display Card
	no baffle	110144	9	bulk
	no baffle	110149	8	Ind. Box



Product Specifications

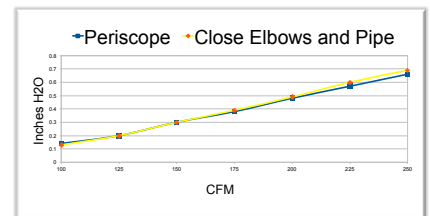
- 2" x 6" rigid 26 gauge aluminum
- Smooth interior decreases air friction
- Use where outlets overlap or are very close
- Baffles help direct airflow in 3-5" situations
- Sections are not reversible
- 4" Draw band swiveling female collar
- 4" Crimped swiveling male fitting



Performance Data & Airflow

Pressure Rating:
 Positive: 6" WC max Negative: 6" WC max
 Maximum velocity: 5,000 FPM
 Operating Temp. Range: -100°F to+ 430°F
 Flame Spread 0 Smoke Developed 0
 INSTALLATION: (Installation instructions are included inside each carton.)

Periscopes provide nearly the same airflow properties as one semi-rigid metal flexible pipe with two Close Elbows®.



Recommendations

The International Mechanical Code recommends rigid metal duct for dryer exhaust as well as in-wall exhaust. IMC 504.6.1 & 504.8-3

Dryer manufacturers specify "Only rigid or flexible metal vent shall be used for exhausting. Do not use plastic or metal foil vent."

Patents:

US 5,653,631; 5,943,743; 6,035,495; 5,121,948; D.342,782
 Canadian 2,062,123; 2,063,098; 2,201,956; 2,279,599

Warranty

Manufacturer assumes no responsibility for failure due to improper installation. All specifications and designs are subject to change without notice and without incurring liability.

WARRANTY EXCLUSION AND DISCLAIMER Seller specifically excludes, and hereby disclaims any express representation or express warranty of any kind with respect to the goods ordered hereunder. All implied warranties, including without limitation merchantability or fitness for a particular purpose or arising from a course of dealing or usage or trade shall expire and cease 45 days after date of delivery. Seller shall not be liable to buyer or any third party for any special, secondary, incidental, or consequential damages however arising. Nothing in this provision shall invalidate or restrict any right or remedy otherwise available under state or federal law. Materials and specifications subject to change without notice.

Oto5 periscope specs V2.indd last update 5/19/15

Labels

