



Builder's Best, Inc.
201 Broiles Drive
Jacksonville, TX 75766
888-368-7233
fax: 800-259-8368
www.BuildersBest.com

90° PLASTIC SQUEEZE ELBOW TRANSITION

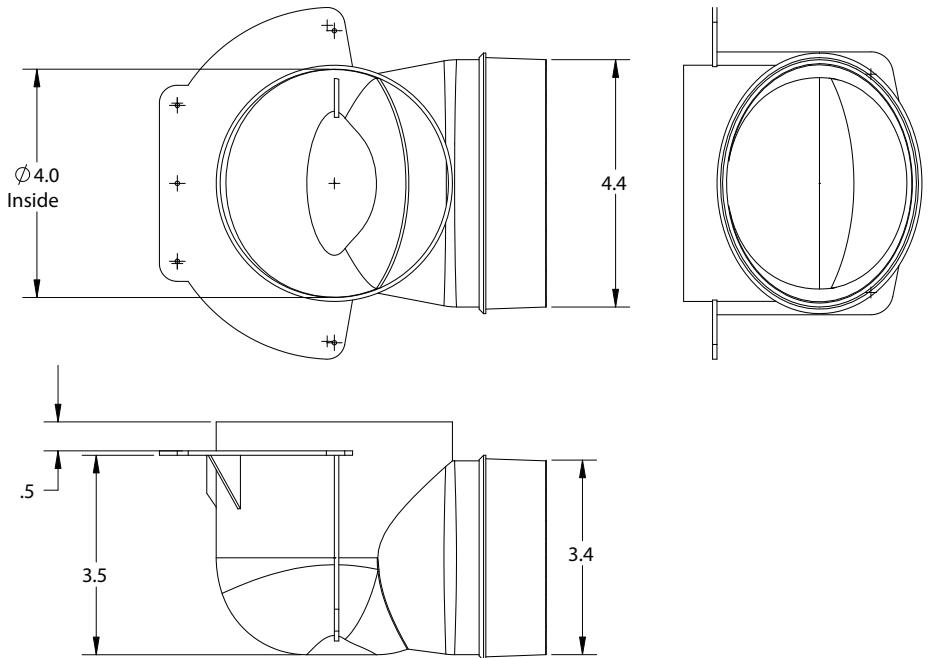


PRODUCT SPECIFICATIONS

- Impact Resistant Polymer Resin
- 4x 90° plastic stack hood elbow
- Designed for use in 2x4 Stud walls.
- Easy Installation
- Will not rust or dent
- Quick Rough-in

PART NUMBERS

Part #	Qty	Package
111850	9	Bulk



LABELS



Builder's Best is an
Authorized Primex Distribution Partner
Primex is Made in Canada

WARRANTY

Manufacturer assumes no responsibility for failure due to improper installation.
All specifications and designs are subject to change without notice and without incurring liability.

WARRANTY EXCLUSION AND DISCLAIMER Seller specifically excludes, and hereby disclaims any express representation or express warranty of any kind with respect to the goods ordered hereunder. All implied warranties, including without limitation merchantability or fitness for a particular purpose or arising from a course of dealing or usage or trade shall expire and cease 45 days after date of delivery. Seller shall not be liable to buyer or any third party for any special, secondary, incidental, or consequential damages however arising. Nothing in this provision shall invalidate or restrict any right or remedy otherwise available under state or federal law. Materials and specifications subject to change without notice.

90° Plastic Squeeze Elbow Transition V2 9/12/16