



**Builder's Best, Inc.**  
 201 Broiles Drive  
 Jacksonville, TX 75766  
 903-586-8283  
 sales@buildersbest.com  
 BuildersBest.com

# ADAPTERS FOR ROOF: RV28, RVL28 & EAVE SV28



PLEASE SEE REVERSE  
 FOR CURRENT PRIMEX TECH SPECS

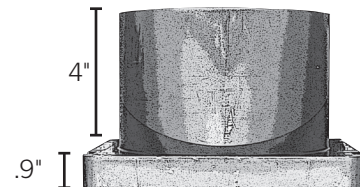
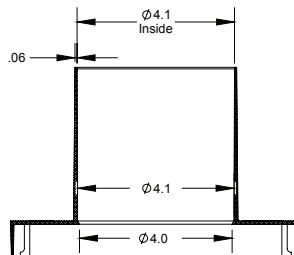
- Patented design eliminates leaky joints and maximizes water protection.
- Long lasting durability with UV-protected, impact-resistant polymer resin.
- Five sizes available for 4, 5, 6, 7 or 8-inch ducting.
- Easy snap-in adapter for use with:  
 Roof Vent Hood: RV28, RVL28  
 Eave Vent Hood: SV28.

## PART NUMBERS

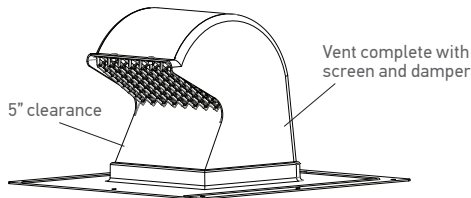
Dia.	Color	Old #	New PN	Qty	Package
4"	black	111787	RV28-4	30	Bulk
6"	black	111789	RV28-6	25	Bulk
7"	black	111790	RV28-7	25	Bulk
8"	black	111791	RV28-8	18	Bulk

## DIMENSIONS

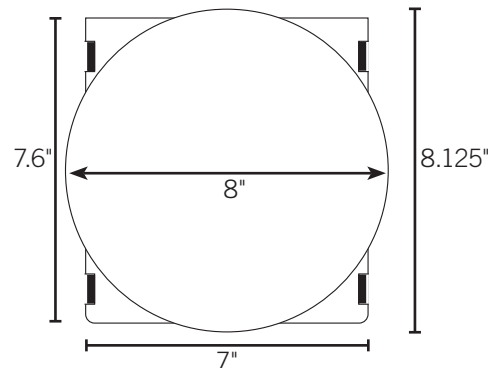
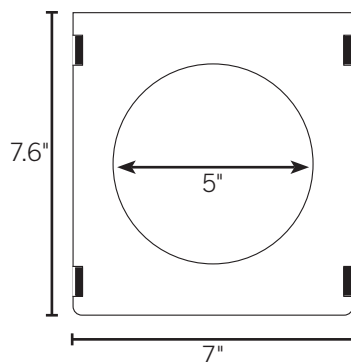
4" Diameter:



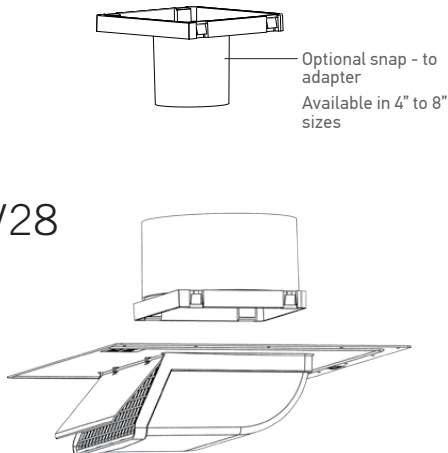
RV28



5" Diameter



SV28



## LABELS

Builder's Best is an  
 Authorized Primex Distribution Partner  
 Primex is Made in Canada by Menzies Group

## WARRANTY

Please contact [hvac@menzies-metal.com](mailto:hvac@menzies-metal.com) for warranty information.

# RV28-45678 Vent Adapters

## Technical Data Sheet

### FEATURES & BENEFITS

- Patented design eliminates leaky joints and maximizes water protection.
- Long lasting durability with UV-protected, impact-resistant polymer resin.
- Five sizes available for 4, 5, 6, 7 or 8-inch ducting.
- Easy snap-in adapter for use with RV28, RVL28, WC28 and SV28.
- Quick and easy installation.

### PRODUCT DIMENSIONS

SIZE: H: 15.7" / W: 15.3" / D: 9.5"

### COLOURS

- Black (25)

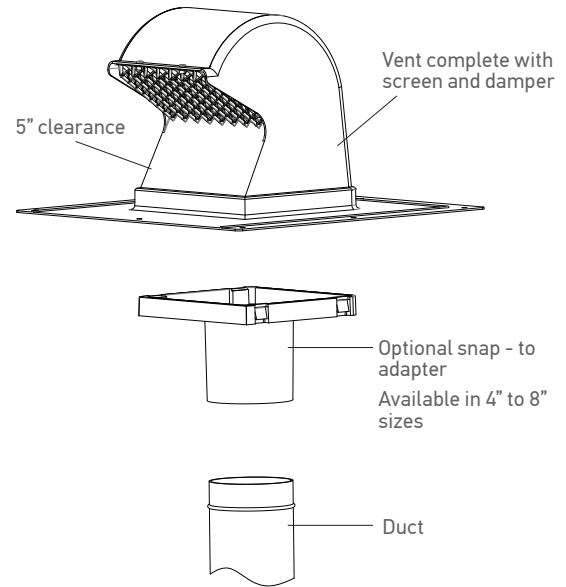
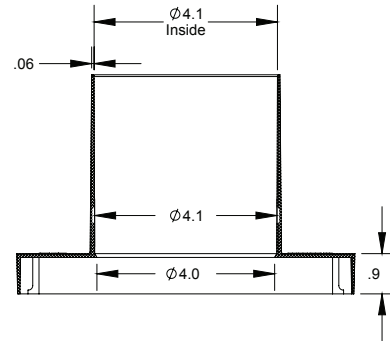
### APPLICATIONS

- Dryer Venting
- Bathroom Venting
- Range Venting
- Heat Recovery Venting (HRV)
- Intake

### PART NUMBER/SIZING

Part #	Size	Free Area	Description	Pkg
RV28-4	4" Dia.	12.6 sq. in.	Duct adapter: 4"	30/box
RV28-5	5" Dia.	19.6 sq. in.	Duct adapter: 5"	30/box
RV28-6	6" Dia.	26.5 sq. in.	Duct adapter: 6"	25/box
RV28-7	7" Dia.	26.5 sq. in.	Duct adapter: 7"	25/box
RV28-8	8" Dia.	26.5 sq. in.	Duct adapter: 8"	18/box

### TECHNICAL DRAWING



### CONTACT US FOR MORE INFORMATION:

1.604.881.7875 | info@primexvents.com

01/20

