



Builder's Best, Inc.
 201 Broiles Drive
 Jacksonville, TX 75766
 888-368-7233
 fax: 800-259-8368
 www.BuildersBest.com

PLASTIC ROOF CAP BATH EXHAUST

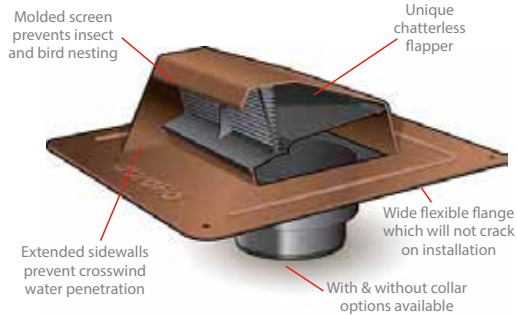


PRODUCT SPECIFICATIONS

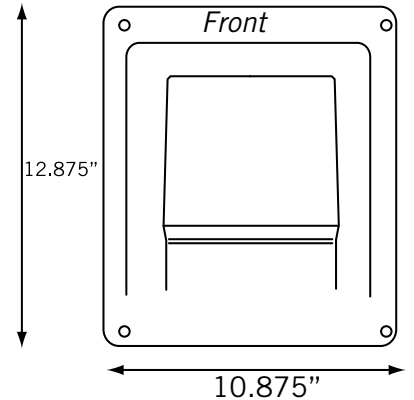
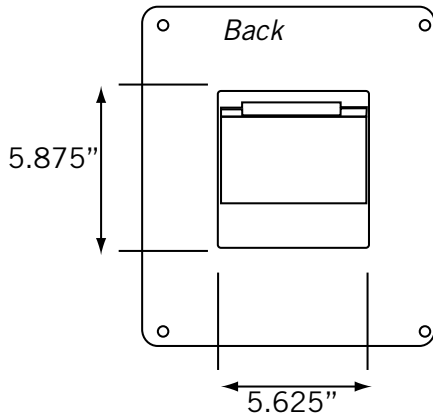
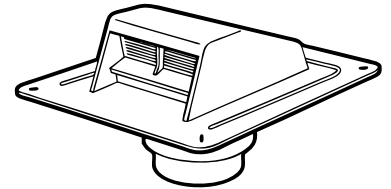
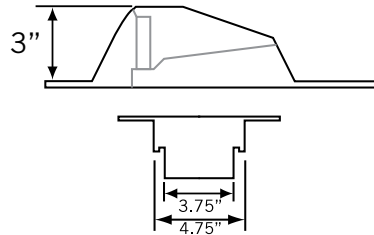
- Heavy duty black plastic (polypropylene) modified for impact and UV resistance
- Flexible flange
- Available flush mount or with a 3" long collar which adapts a 4" or 5" pipe
- Molded screen
- Unique chatterless flapper
- Extended sidewall prevent crosswind water penetration

PART NUMBERS

Part #	Diameter	Treatment	Qty	Package
111508	4-5"	Collar	6	Bulk
111509	up to 5"	Flush	4	Bulk



Shown with optional collar



WARRANTY

Manufacturer assumes no responsibility for failure due to improper installation. All specifications and designs are subject to change without notice and without incurring liability.

WARRANTY EXCLUSION AND DISCLAIMER Seller specifically excludes, and hereby disclaims any express representation or express warranty of any kind with respect to the goods ordered hereunder. All implied warranties, including without limitation merchantability or fitness for a particular purpose or arising from a course of dealing or usage or trade shall expire and cease 45 days after date of delivery. Seller shall not be liable to buyer or any third party for any special, secondary, incidental, or consequential damages however arising. Nothing in this provision shall invalidate or restrict any right or remedy otherwise available under state or federal law. Materials and specifications subject to change without notice.