



**Builder's Best, Inc.**  
 201 Broiles Drive  
 Jacksonville, TX 75766  
 888-368-7233  
 fax: 800-259-8368  
 www.BuildersBest.com

# BROAD BAND SIPHON VENTILATOR™



## DESCRIPTION

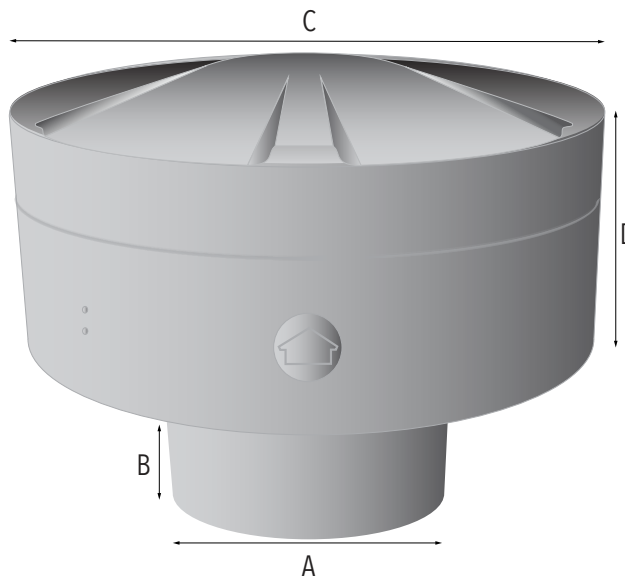
- Heavy duty galvanized steel roof vent cap to efficiently evacuate fumes from flues or pipes. This cap provides maximum protection from the weather and creates a strong siphoning action which helps prevent downdrafts.

## SPECIFICATIONS

- 26 Gauge Galvanized steel construction for corrosion resistance
- Fits into a Type B gas vent
- Ribbed cap and wide band
- Large unrestricted outlet

## PART NUMBERS

Diameter	Qty	Part #	UPC
3"	1	010939	•
4"	1	010940	•
5"	1	010941	•
6"	1	010942	•
7"	1	010943	•
8"	1	010944	•
9"	1	010945	•
10"	1	010946	•
12"	1	010947	•



Part #	A	B	C	D
010939	3"	2 3/8"	9"	5"
010940	4"	2.5"	10"	5"
010941	5"	2 3/8"	13.125"	5"
010942	6"	2.5"	12"	5"
010943	7"	2.5"	13"	5"
010944	8"	2 3/8"	14"	5"
010945	9"	2 3/8"	16"	5"
010946	10"	2 3/8"	18"	6"
010947	12"	2.250"	17.5"	6"

## LABELS



## WARRANTY

Manufacturer assumes no responsibility for failure due to improper installation. All specifications and designs are subject to change without notice and without incurring liability.

**WARRANTY EXCLUSION AND DISCLAIMER** Seller specifically excludes, and hereby disclaims any express representation or express warranty of any kind with respect to the goods ordered hereunder. All implied warranties, including without limitation merchantability or fitness for a particular purpose or arising from a course of dealing or usage or trade shall expire and cease 45 days after date of delivery. Seller shall not be liable to buyer or any third party for any special, secondary, incidental, or consequential damages however arising. Nothing in this provision shall invalidate or restrict any right or remedy otherwise available under state or federal law. Materials and specifications subject to change without notice.