



Builder's Best, Inc.
 201 Broiles Drive
 Jacksonville, TX 75766
 888-368-7233
 fax: 800-259-8368
 www.BuilderBest.com

HEAVY GAUGE ALUMINUM HOODS WITH SCREEN

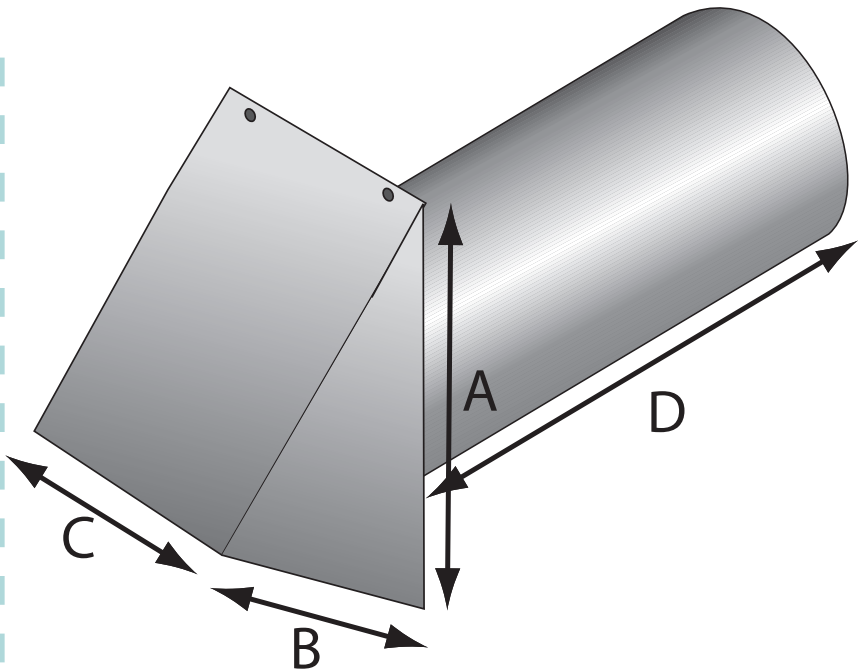


PRODUCT SPECIFICATIONS

- 24 gauge aluminum
- Mouth opening exceeds pipe area for best airflow
- ¼" x ¼" screens mechanically inserted and removable
- Available without tailpipe, with 6" tailpipe or 11" tailpipe
- 4 mounting holes for secure connections

PART NUMBERS

Diameter	Part #	Qty	A (in.)	B (in.)	C (in.)	D (in.)
4"	111173	20	7.5	3.25	6	n/a
	111115	12	7.5	3.25	6	6
	011106	12	7.5	3.25	6	11
5"	111175	12	9	4	8	n/a
	111117	12	9	4	8	6
	111107	6	9	4	8	11
6"	111177	12	9	4	8	n/a
	111119	12	9	4	8	6
	111109	6	9	4	8	11
7"	111179	12	11.25	5.4	10	n/a
	111121	10	11.25	5.4	10	6
	111111	6	11.25	5.4	10	11
8"	111181	12	11.25	5.4	10	n/a
	111122	10	11.25	5.4	10	6
	111112	6	11.25	5.4	10	11
10"	111183	2	14.13	6.9	12	n/a
	111123	2	14.13	6.9	12	6
	011113	1	14.13	6.9	12	11
12"	111185	2	14.13	6.9	14	n/a
	111124	2	14.13	6.9	14	6
	011114	1	14.13	6.9	14	11



LABELS



Made in the U.S.A.

WARRANTY

Manufacturer assumes no responsibility for failure due to improper installation. All specifications and designs are subject to change without notice and without incurring liability.

WARRANTY EXCLUSION AND DISCLAIMER Seller specifically excludes, and hereby disclaims any express representation or express warranty of any kind with respect to the goods ordered hereunder. All implied warranties, including without limitation merchantability or fitness for a particular purpose or arising from a course of dealing or usage or trade shall expire and cease 45 days after date of delivery. Seller shall not be liable to buyer or any third party for any special, secondary, incidental, or consequential damages however arising. Nothing in this provision shall invalidate or restrict any right or remedy otherwise available under state or federal law. Materials and specifications subject to change without notice.

Heavy Gauge Aluminum Hoods with screen V2 12/11/14