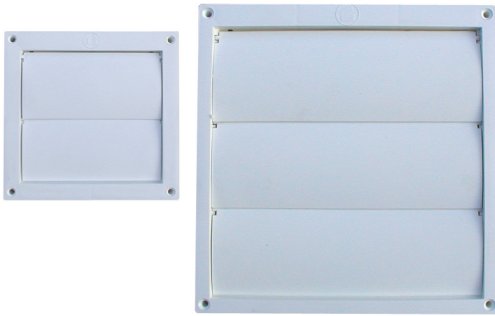




**Builder's Best, Inc.**  
 201 Broiles Drive  
 Jacksonville, TX 75766  
 888-368-7233  
 fax: 800-259-8368  
 www.BuildersBest.com

# LOUVERED PLASTIC FACEPLATE WITH SNAP ON RING

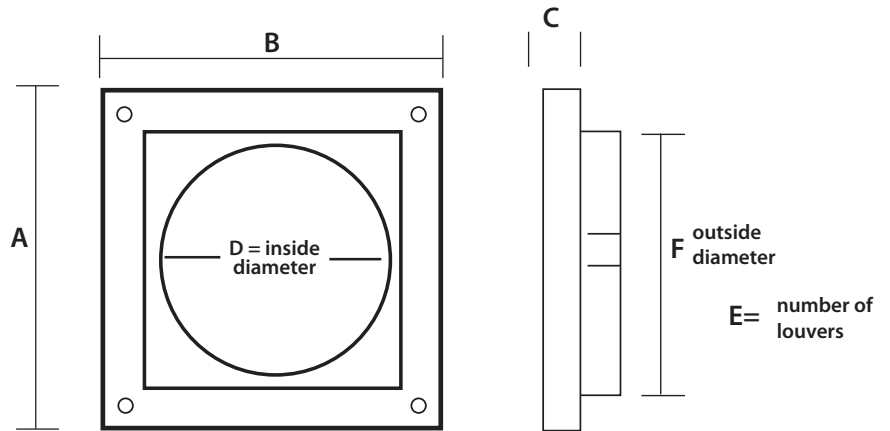
## PRODUCT SPECIFICATIONS



- Polypropylene molded plastic
- Molded snap ring for easy connection to pipe
- Free swinging louvers
- 4 mounting holes
- Fully Assembled

## PART NUMBERS

Diameter	Color	Part #	Qty	Package
3"	White	110749	12	Bulk
	Brown	110872	12	Bulk
4"	White	111424	12	Display Card
		110286	12	Bulk
	Brown	111545	12	Display Card
		110287	12	Bulk
5"	White	110830	12	Bulk
	Brown	110834	12	Bulk
6"	White	110838	12	Bulk
	Brown	110842	12	Bulk
7"	White	110846	12	Bulk
	Brown	110850	12	Bulk
8"	White	110854	12	Bulk
	Brown	110858	12	Bulk



Diameter	A	B	C	D	E	F
3"	5.5	5.5	.6	3	4	3.25
4"	5.5	5.5	.6	4	4	4.25
5"	7.0	7.3	.65	5	2	5.25
6"	8.2	8.2	.65	6	3	6.25
7"	8.8	8.6	.65	7	3	7.25
8"	10.0	9.7	.65	8	3	8.25



## WARRANTY

Manufacturer assumes no responsibility for failure due to improper installation. All specifications and designs are subject to change without notice and without incurring liability.

**WARRANTY EXCLUSION AND DISCLAIMER** Seller specifically excludes, and hereby disclaims any express representation or express warranty of any kind with respect to the goods ordered hereunder. All implied warranties, including without limitation merchantability or fitness for a particular purpose or arising from a course of dealing or usage or trade shall expire and cease 45 days after date of delivery. Seller shall not be liable to buyer or any third party for any special, secondary, incidental, or consequential damages however arising. Nothing in this provision shall invalidate or restrict any right or remedy otherwise available under state or federal law. Materials and specifications subject to change without notice.

Louvered Plastic Faceplate with snap on ring V2 12/12/14