



Builder's Best, Inc.
 201 Broiles Drive
 Jacksonville, TX 75766
 888-368-7233
 fax: 800-259-8368
 www.BuildersBest.com

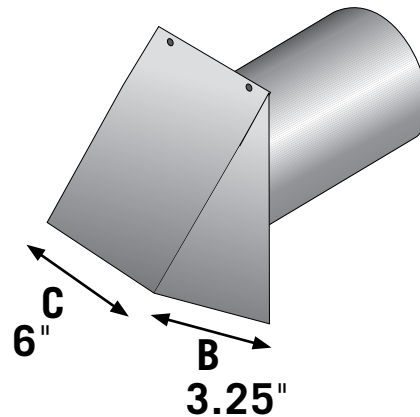
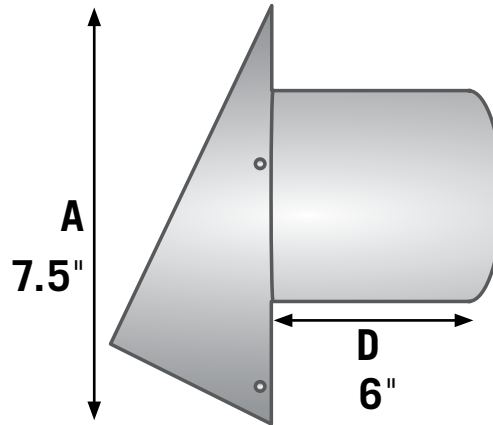
GWM088 Galvanized Wall Vent Hood 1/2" x 1/2" screen

DESCRIPTION

The GWM088 is a heavy duty galvanized wall vent hood featuring a 1/2" x 1/2" screen suitable for use in areas where a broader screen field is desired.

FEATURES & SPECIFICATIONS

- 26 gauge galvanized steel
- Riveted not caulked
- Mouth opening exceeds pipe area
- 4 mousing holes for secure connections
- 1/2" x 1/2" screen



PART NUMBERS

Diameter	Part #	Qty	A (in.)	B (in.)	C (in.)	D (in.)
4"	111427	12	7.5	3.25	6	6

LABELS

WARRANTY

Complete Warranty Statement at <https://www.buildersbest.com>

