

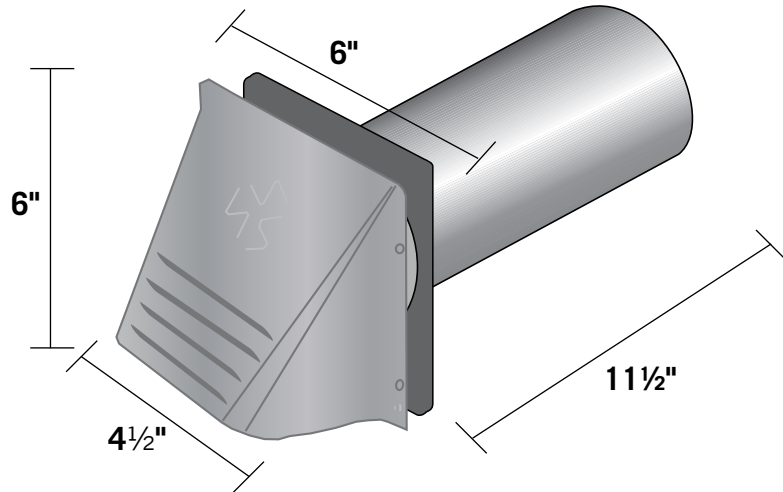
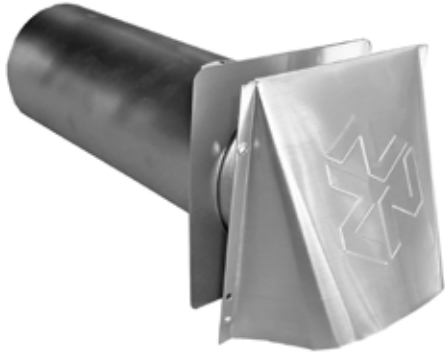


**Builder's Best, Inc.**  
 201 Broiles Drive  
 Jacksonville, TX 75766  
 903-586-8283  
 sales@venting.biz  
 BuildersBest.com

# ASM320 (ASM277) ALUMINUM STANDARD MOUTH HOOD

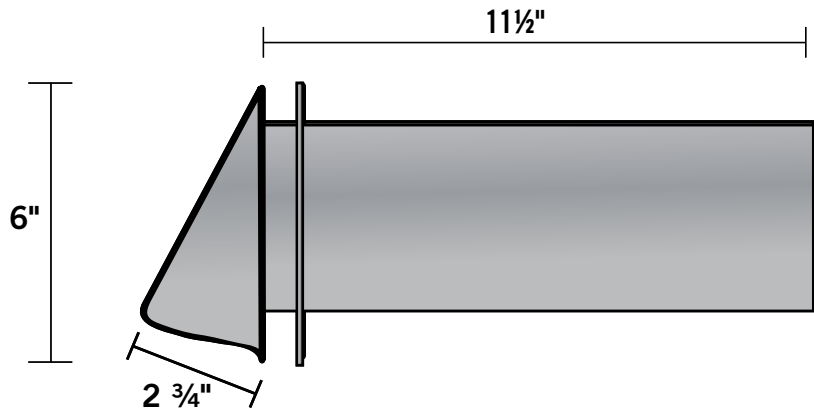
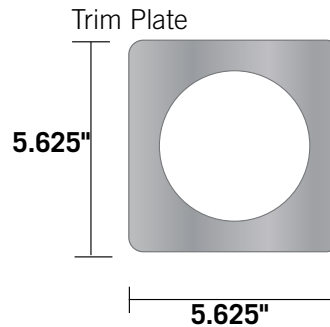
## PRODUCT SPECIFICATIONS

- 1 1/2" tailpipe
- Back Plate
- Back-draft flapper
- Fully assembled riveted tailpipe



## PART NUMBERS

Diameter	Part #	Qty	Package
3"	110276	12	Bulk
3"	110278	4	Ind Box
4"	110277	12	Bulk
4"	110279	4	Ind Box



## LABELS



## WARRANTY

Complete warranty statement [www.buildersbest.com](http://www.buildersbest.com)