



Builder's Best, Inc.
 201 Broiles Drive
 Jacksonville, TX 75766
 903-586-8283
 sales@venting.biz
 BuildersBest.com

PRIMEX SV SERIES EAVE (SOFFIT) VENT EXHAUST



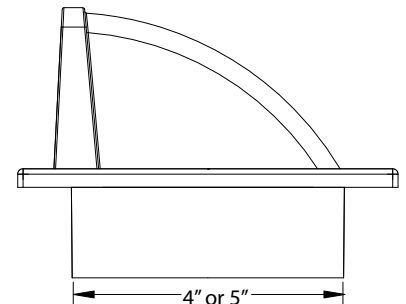
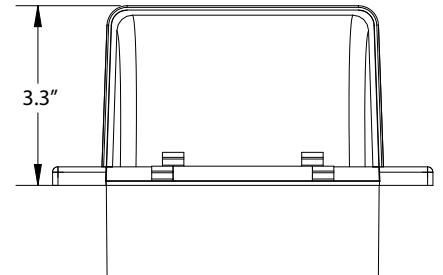
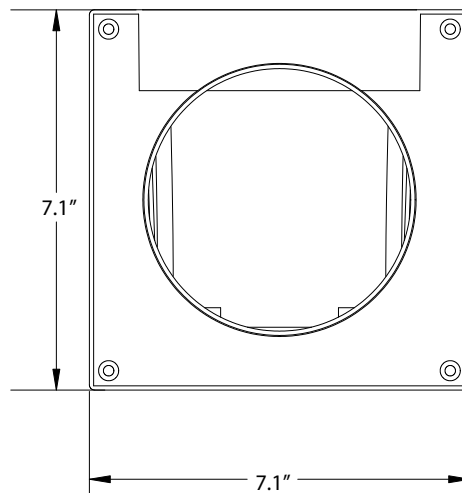
PRODUCT SPECIFICATIONS
 PLEASE SEE REVERSE
 FOR CURRENT PRIMEX TECH SPECS

- One piece design
- Made from UV stabilized polymer resin
- Back draft flapper

PART NUMBERS

Part numbers shown are stocked.
 Other Primex items are special orders.

New case #	Old case #	Description	Qty	Pkg
SV401	111858	4" White	24	Bulk
SV601	112251	6" White	10	Bulk



LABELS

Builder's Best is an
 Authorized Primex Distribution Partner
 Primex is Made in Canada



WARRANTY

Please contact Primex info@primexvents.com for warranty information.

FEATURES & BENEFITS

- Low profile, one-piece design is less obtrusive than traditional vents.
- Choose from three different sizes for either 4", 5" or 6" ducting.
- Can be used in new or retrofit applications.
- No need to penetrate the roof or walls.
- No leaky seams on the vent hood.
- Made from durable, UV-stabilized polymer resin.
- Lightweight and easy to install.

COLOURS

- Snow White (01)
- Taupe (23)

APPLICATIONS

- Dryer Venting
- Bathroom Venting
- Range Venting
- Heat Recovery Venting (HRV)
- Intake

PART NUMBER/SIZING

Part #	Size	Free Area	Description	Pkg
SV4	4" Dia.	12.6 sq. in	Fits 4" diameter duct	24/box
SV5	5" Dia.	13.3 sq. in	Fits 5" diameter duct	24/box
SV6	6" Dia.	28.2 sq. in	Fits 6" diameter duct	10/box

TECHNICAL DRAWING

