



**Builder's Best, Inc.**  
 201 Broiles Drive  
 Jacksonville, TX 75766  
 903-586-8283  
 sales@venting.biz  
 BuildersBest.com

# PRIMEX SV28 SERIES EAVE (SOFFIT) INTAKE/EXHAUST VENT



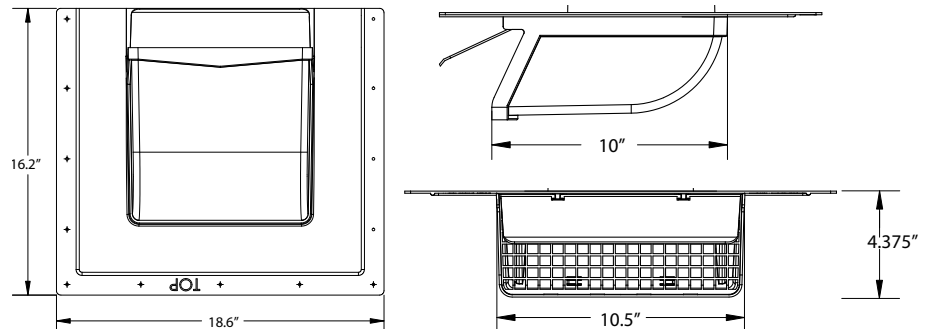
PRODUCT SPECIFICATIONS  
 PLEASE SEE REVERSE  
 FOR CURRENT PRIMEX TECH SPECS

- UV stabilized polymer resin
- One piece design
- Removable screen
- Removable damper
- Installs flush or with optional snap-in adapter

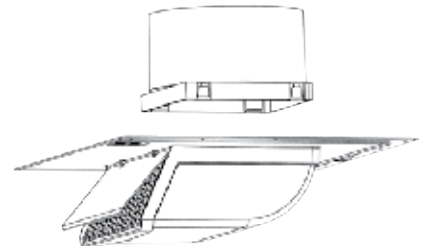
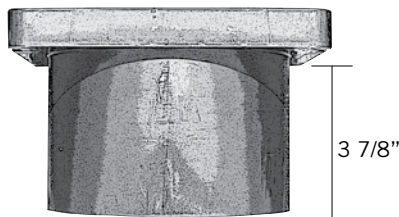
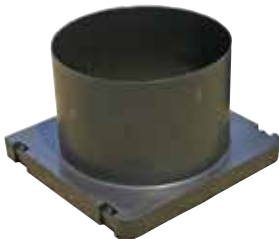
## PART NUMBERS

Part numbers shown are stocked.  
 Other Primex items are special orders.

New case #	Old case #	Description	Qty	Pkg
SV2801	111941	4"-8" Flush w/Screen - White	6	Bulk
Adapters:				
RV28-4	111787	4" Black	30	Bulk
RV28-5	111788	5" Black	30	Bulk
RV28-6	111789	6" Black	25	Bulk
RV28-7	111790	7" Black	25	Bulk
RV28-8	111791	8" Black	18	Bulk



## OPTIONAL SNAP-IN ADAPTER



## LABELS

Builder's Best is an  
 Authorized Primex Distribution Partner  
 Primex is Made in Canada



## WARRANTY

Please contact Primex: [info@primexvents.com](mailto:info@primexvents.com) for warranty information.

# SV28 Series Soffit Intake/Exhaust Vent

## Technical Data Sheet

### FEATURES & BENEFITS

- Low profile, one-piece molded hood eliminates leaky joints and provides maximum water protection.
  - Vents odor and moisture away from the home.
  - Optional screen and removable damper.
  - Available for intake or exhaust applications.
  - Snap-in adapters ensure a tight seal.
  - Quick and easy to install.
  - Made with UV-protected polymer resin.
- \* For dryer applications we recommend the no screen 'NS' model.

### PRODUCT DIMENSIONS

HOOD SIZE: H: 10" / W: 10.5" / D: 4.375"

### COLOURS

- Snow White (01)
- Black (25)
- Dark Grey (28)
- Taupe (23)
- Light Grey (31)

### APPLICATIONS

- Dryer Venting
- Bathroom Venting
- Range Venting
- Heat Recovery Venting (HRV)
- Intake

### PART NUMBER/SIZING

Part #	Size	Free Area	Description	Pkg
SV28		27.8 sq. in.	With screen	6/box
SV28NS		40.3 sq. in.	w/o screen	6/box
<b>ADAPTER</b>				
RV28-4	4" Dia.	12.6 sq. in.	4" Adapter	30/box
RV28-5	5" Dia.	19.6 sq. in.	5" Adapter	30/box
RV28-6	6" Dia.	27.8 sq. in. 28.3 NS	6" Adapter	25/box
RV28-7	7" Dia.	27.8 sq. in. 38.5 NS	7" Adapter	25/box
RV28-8	8" Dia.	27.8 sq. in. 40.3 NS	8" Adapter	18/box

### TECHNICAL DRAWING

