



**Builder's Best, Inc.**  
 201 Broiles Drive  
 Jacksonville, TX 75766  
 903-586-8283  
 sales@venting.biz  
 BuildersBest.com

# PRIMEX SM SIDE WALL CAPS SURFACE MOUNT WALL VENTS



## PRODUCT SPECIFICATIONS PLEASE SEE REVERSE FOR CURRENT PRIMEX TECH SPECS

- UV-stabilized durable polymer resin
- One-piece, seamless design helps eliminate leaky joints while maximizing water protection
- Spring loaded damper reduces noise caused by wind
- Removable screen
- Surface mount

## PART NUMBERS

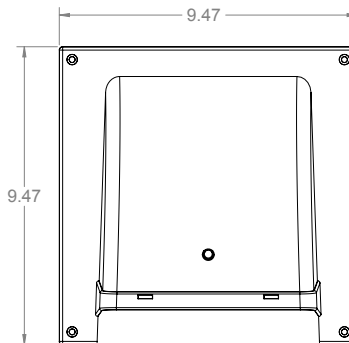
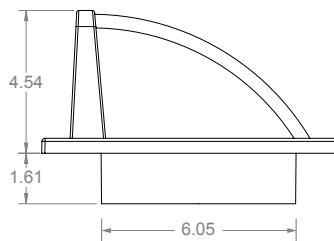
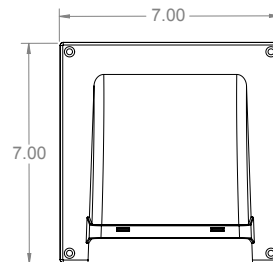
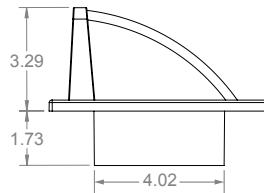
Part numbers shown are stocked.  
 Other Primex items are special orders.

New case #	Old case #	Dia.	Color	Damper	Screen	Qty	Pkg
SM401	112291	4"	white	spring	removable 1/2" x 1/2"	24	Bulk
SM431	112294	4"	light grey	spring	removable 1/2" x 1/2"	24	Bulk
SM601	112293	6"	white	spring	removable 1/2" x 1/2"	10	Bulk



## RECOMMENDATIONS

The International Residential Code states in Section M1502 for Clothes Dryer Exhaust "screens shall not be installed at the duct termination."



## LABELS

Builder's Best is an  
 Authorized Primex Distribution Partner  
 Primex is Made in Canada



## WARRANTY

Please contact [info@primexvents.com](mailto:info@primexvents.com) for warranty information.

# SM Series Surface Mount Wall Vents

## Technical Data Sheet

### FEATURES & BENEFITS

- Eliminates leaky joints while maximizing water protection with one-piece, seamless design.
- Suitable for intake and exhaust applications via removable damper.
- Spring loaded damper reduces wind flapping.
- Made with UV-stabilized durable polymer resin.
- Highly resistant to mechanical impact.
- Surface mounted for quick and easy installation.
- Removable screen for dryer venting applications.

### COLOURS

- Snow White (01)
- Light Grey (31)
- Dark Grey (28)
- Taupe (23)
- Dark Brown (68)

### APPLICATIONS

- Dryer Venting
- Bathroom Venting
- Range Venting
- Heat Recovery Venting (HRV)
- Intake

### PART NUMBER/SIZING

Part #	Size	Free Area	Description	Pkg
SM4	4" Dia.	9.7 sq. in.*	Fits 4" ducting	24/box
SM5	5" Dia.	19.3 sq. in.*	Fits 5" ducting	10/box
SM6	6" Dia.	19.3 sq. in.*	Fits 6" ducting	10/box

\*Free area does not account for spring loading

### TECHNICAL DRAWING

