



Builder's Best, Inc.
 201 Broiles Drive
 Jacksonville, TX 75766
 903-586-8283
 sales@venting.biz
 BuildersBest.com

PRIMEX WC WALL CAPS INTAKE/EXHAUST WALL CAP VENTS

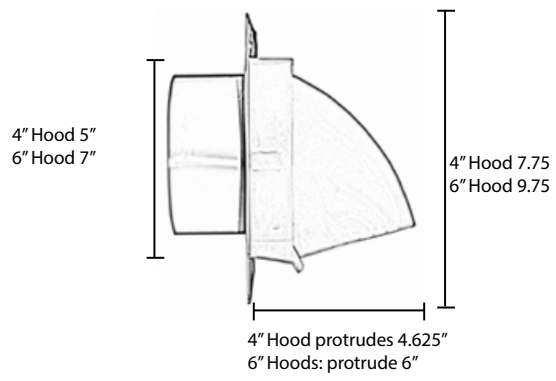
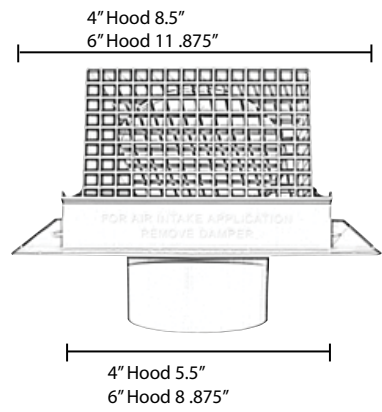
PRODUCT SPECIFICATIONS
 PLEASE SEE REVERSE
 FOR CURRENT PRIMEX TECH SPECS

- UV stabilized polymer resin
- Drip edge to help drain away water
- Screen is not removable

PART NUMBERS

Part numbers shown are stocked.
 Other Primex items are special orders.

New case #	Old case #	Dia.	Color	Damper	Screen	Qty	Pkg
WC401S	111775	4"	white	removable spring	½" x ½"	25	Bulk
WC401SNS	111944	4"	white	removable spring	n/a	25	Bulk
WC423S	111887	4"	taupe	removable spring	½" x ½"	25	Bulk
WC423SNS	111913	4"	taupe	removable spring	n/a	25	Bulk
WC425S	112098	4"	black	removable spring	½" x ½"	25	Bulk
WC428S	111853	4"	drk grey	removable spring	½" x ½"	25	Bulk
WC428SNS	112104	4"	drk grey	removable spring	n/a	25	Bulk
WC431S	111781	4"	lt grey	removable spring	½" x ½"	25	Bulk
WC431SNS	111945	4"	lt grey	removable spring	n/a	25	Bulk
WC445S	111875	4"	tan	removable spring	½" x ½"	25	Bulk
WC445SNS	111880	4"	tan	removable spring	n/a	25	Bulk
WC468S	111833	4"	drk brown	removable spring	½" x ½"	25	Bulk
WC468SNS	111855	4"	drk brown	removable spring	n/a	25	Bulk
WC601S	111777	6"	white	removable spring	½" x ½"	10	Bulk
WC623SNS	111889	6"	tape	removable spring	½" x ½"	10	Bulk
WC625S	112097	6"	black	removable spring	½" x ½"	10	Bulk
WC628S	112099	6"	drk grey	removable spring	½" x ½"	10	Bulk
WC631S	111783	6"	lt grey	removable spring	½" x ½"	10	Bulk
WC645S	111877	6"	tan	removable spring	½" x ½"	10	Bulk
WC668S	111835	6"	drk brown	removable spring	½" x ½"	10	Bulk
WC723	111890	7"	taupe	removable	½" x ½"	2	Bulk
WC728	112079	7"	drk grey	removable	½" x ½"	2	Bulk
WC731	111784	7"	lt grey	removable	½" x ½"	2	Bulk
WC768	112080	7"	drk brown	removable	½" x ½"	2	Bulk
WC801	111779	8"	white	removable	½" x ½"	2	Bulk



LABELS

Builder's Best is an
 Authorized Primex Distribution Partner
 Primex is Made in Canada



WARRANTY

Please contact Primex info@primexvents.com for warranty information.

WC Series Intake/Exhaust Wall Cap Vents

Technical Data Sheet

FEATURES & BENEFITS

- Compatible with rainscreen applications via extended base, compensating for cavity between sheathing and cladding.
 - Patented design eliminates leaky joints while maximizing water protection with one-piece molded base and built-in drip edge.
 - Integrity of the building envelope is maintained via a removable hood for simple duct cleaning.
 - Suitable for intake and exhaust applications.
 - Over-sized flange ensures watertight installation.
 - Made with UV-protected durable polymer resin.
 - Highly resistant to mechanical impact including a built-in bird screen.
 - Quick and easy installation.
- * For dryer applications we recommend the no screen 'NS' model.

COLOURS

- Black (25)
- Light Grey (31)
- Dark Grey (28)
- Taupe (23)
- Tan (45)
- Dark Brown (68)
- Snow White (01)

APPLICATIONS

- Dryer Venting
- Bathroom Venting
- Range Venting
- Heat Recovery Venting (HRV)
- Intake

PART NUMBER/SIZING

Part # Screen	Part # No Screen	Size	Free Area	Description	Pkg
WC3	WC3NS	3" Dia.	7.7 sq. in.	Use 3" dia. ducting	25/box
WC4	WC4NS	4" Dia.	9.5 sq. in.	Use 4" dia. ducting	25/box
WC5	WC5NS	5" Dia.	19.6 sq. in.	Use 5" dia. ducting	10/box
WC6	WC6NS	6" Dia.	28.3 sq. in.	Use 6" dia. ducting	10/box
WC7	WC7NS	7" Dia.	38.5 sq. in.	Use 7" dia. ducting	2/box
WC8	WC8NS	8" Dia.	46.8 sq. in.	Use 8" dia. ducting	2/box

RANGE HOOD VENTS

Part #	Duct Boot	Free Area	Description	Pkg
WC310	3" x 10"	30.2 sq. in.	Wall Cap Vent: use with 3" x 10" register boot or slab duct	18/box
WC310K	3.25" x 10"	30.2 sq. in.	Range Hood Vent: use with 3.25" x 10" kitchen transition boot or slab duct	18/box

TECHNICAL DRAWING

