



**Builder's Best, Inc.**  
 201 Broiles Drive  
 Jacksonville, TX 75766  
 903-586-8283  
 sales@venting.biz  
 BuildersBest.com

# PRIMEX WCL WALL CAPS LOW PROFILE INTAKE VENTS



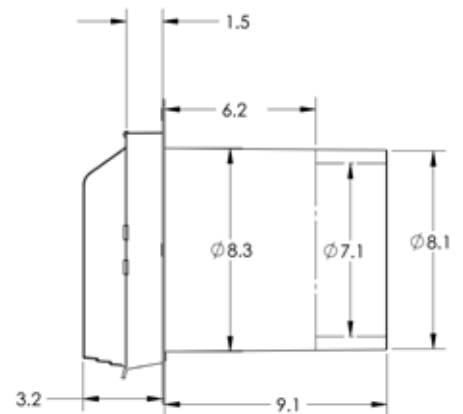
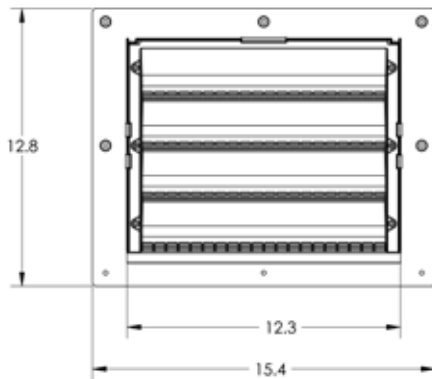
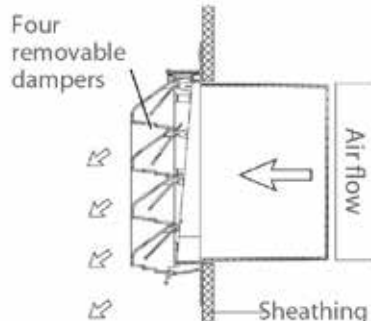
## PRODUCT SPECIFICATIONS PLEASE SEE REVERSE FOR CURRENT PRIMEX TECH SPECS

- UV stabilized polymer resin
  - Four removable dampers
  - ½" x ½" molded screen (screen is not removable)
- WCL701 features a tail which is sized for 7" or 8" duct.

## PART NUMBERS

Part numbers shown are stocked.  
 Other Primex items are special orders.

New Case #	Old Case #	Diameter	Color	Qty	Pkg
WCL701	111867	7-8"	white	4	Bulk



## LABELS

Builder's Best is an  
 Authorized Primex Distribution Partner  
 Primex is Made in Canada



## WARRANTY

Please contact Primex: [info@primexvents.com](mailto:info@primexvents.com) for warranty information.

# WCL Series Low Profile Intake Vents

## Technical Data Sheet

### FEATURES & BENEFITS

- Enhances aesthetics with low profile that blends with the installation location.
- Suitable for intake and exhaust applications where low profile is preferred.
- Over-sized flange ensures water-tight installation.
- The integrity of the building envelope is maintained via a removable hood for simple duct cleaning.
- Made with UV-protected polymer resin for lasting durability.
- Highly resistant to mechanical impact.
- Built-in bird screen.
- Quick and easy installation.

### PRODUCT DIMENSIONS

HOOD SIZE: H: 10.25" / W: 12.3" / D: 1.7"

### COLOURS

- Black (25)
- Light Grey (31)
- Dark Grey (28)
- Taupe (23)
- Tan (45)
- Dark Brown (68)
- Snow White (01)

### APPLICATIONS

- Heat Recovery Venting (HRV)
- Intake
- Bathroom Venting
- Range Venting

### PART NUMBER/SIZING

Part #	Size	Free Area	Description	Pkg
WCL7	7" Dia.	38.5 sq. in	Fits 7" diameter duct	4/box
WCL8	8" Dia.	50.3 sq. in	Fits 8" diameter duct	4/box

### TECHNICAL DRAWING

