



**Builder's Best, Inc.**  
 201 Broiles Drive  
 Jacksonville, TX 75766  
 903-586-8283  
 sales@venting.biz  
 BuildersBest.com

# AWM604 Aluminum Heavy Gauge Hood with Screen

## 2020 redesign



PN 12434



PN 12434

### DESCRIPTION

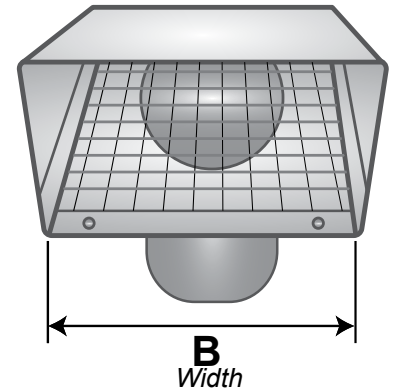
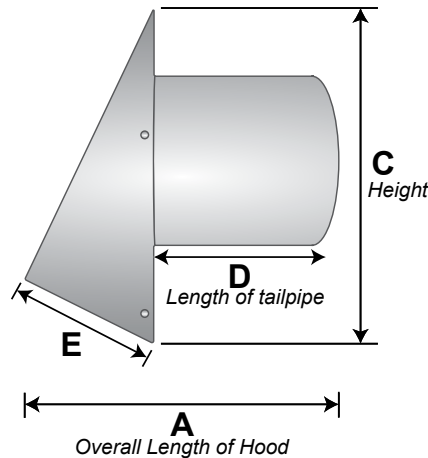
The AWM604 is a heavy duty aluminum wall vent hood.

### PRODUCT FEATURES

- Riveted construction
- Available without tailpipe, with 6" tailpipe or 11" tailpipe
- 4 mounting holes for secure connections
- Tailpipe features 360° mechanical seam

### PRODUCT SPECIFICATIONS

- 24 gauge mill finish aluminum
- ¼" x ¼" screens mechanically inserted and removable



### REDESIGN PART NUMBERS & DIMENSIONS

Dia.	Tail	Flapper	Screen	Each #	Qty	Case #	Pkg	A (in.)	B (in.)	C (in.)	D (in.)	E (in.)	Open Area
4"	n/a	n/a	¼"x¼" removable	11173	20	111173	Bulk	3.375	5.25	7	n/a	4	18.75
4"	6"	n/a	¼"x¼" removable	11115	12	111115	Bulk	8.875	5.25	7	5.5	4	18.75
4"	11"	n/a	¼"x¼" removable	11105	12	011106	Bulk	14.5	5.25	7	11.25	4	18.75
5"	n/a	n/a	¼"x¼" removable	12430	12	112430	Bulk	4.5	8.25	10	n/a	5.375	40
5"	6"	n/a	¼"x¼" removable	12431	12	112431	Bulk	10.25	8.25	10	5.5	5.375	40
5"	11"	n/a	¼"x¼" removable	12432	6	112432	Bulk	15.75	8.25	10	11.25	5.375	40
6"	n/a	n/a	¼"x¼" removable	12433	12	112433	Bulk	4.5	8.25	10	n/a	5.375	40
6"	6"	n/a	¼"x¼" removable	12434	12	112434	Bulk	10.25	8.25	10	5.5	5.375	40
6"	11"	n/a	¼"x¼" removable	12435	6	112435	Bulk	15.75	8.25	10	11.25	5.375	40
7"	n/a	n/a	¼"x¼" removable	12436	12	112436	Bulk	4.5	8.25	10	n/a	5.375	40
7"	6"	n/a	¼"x¼" removable	12437	12	112437	Bulk	10.25	8.25	10	5.5	5.375	40
7"	11"	n/a	¼"x¼" removable	12438	6	112438	Bulk	15.75	8.25	10	11.25	5.375	40
8"	n/a	n/a	¼"x¼" removable	11181	12	111181	Bulk	4.5	10.25	11.25	n/a	5.5	52
8"	6"	n/a	¼"x¼" removable	11122	10	111122	Bulk	10.25	10.25	11.25	5.5	5.5	52
8"	11"	n/a	¼"x¼" removable	11112	6	111112	Bulk	16	10.25	11.25	11.25	5.5	52
10"	n/a	n/a	¼"x¼" removable	11183	2	111183	Bulk	6.25	12.25	14.25	n/a	7	80
10"	6"	n/a	¼"x¼" removable	11123	2	111123	Bulk	11.75	12.25	14.25	5.5	7	80
10"	11"	n/a	¼"x¼" removable	11113	1	011113	Ind Box	17.5	12.25	14.25	11.25	7	80
12"	n/a	n/a	¼"x¼" removable	11185	2	111185	Bulk	6.25	14.25	14.25	n/a	7	99
12"	6"	n/a	¼"x¼" removable	11124	2	111124	Bulk	11.75	14.25	14.25	5.5	7	99
12"	11"	n/a	¼"x¼" removable	11114	1	011114	Ind Box	17.5	14.25	14.25	11.25	7	99

**5-7"**  
**discontinued**  
**model**  
**dimensions**  
**are on page 2**  
**(reverse side)**

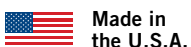
**Discontinued**  
**models on page 2**  
**(reverse side)**  
**will be available**  
**for a short time**  
**to help finish**  
**projects**

SHEET METAL DIMENSIONS MAY VARY ± .15 INCHES

### WARRANTY

Complete Warranty Statement at <https://www.buildersbest.com>

### LABELS





Builder's Best, Inc.  
 201 Broiles Drive  
 Jacksonville, TX 75766  
 903-586-8283  
 sales@venting.biz  
 BuildersBest.com

# AWM604 Aluminum Heavy Gauge Hood with Screen

**DISCONTINUED\***

## DESCRIPTION

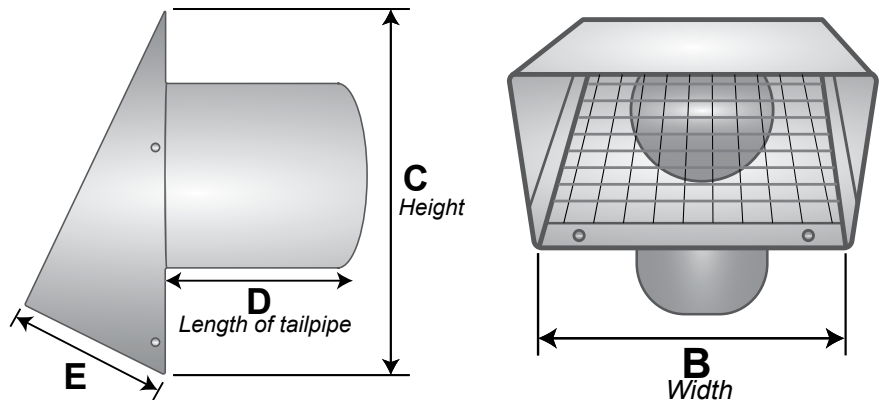
The AWM604 is a heavy duty aluminum wall vent hood.

## PRODUCT FEATURES

- Riveted construction
- Available without tailpipe, with 6" tailpipe or 11" tailpipe
- 4 mounting holes for secure connections

## PRODUCT SPECIFICATIONS

- 24 gauge mill finish aluminum
- ¼" x ¼" screens mechanically inserted and removable



## DISCONTINUED\* PART NUMBERS & DIMENSIONS

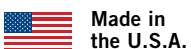
Dia.	Tail	Flapper	Screen	Case #	Qty	Pkg	B (in.)	C (in.)	D (in.)	E (in.)
5"	n/a	n/a	¼"x¼" removable	111175	12	Bulk	8	9	n/a	4
5"	6"	n/a	¼"x¼" removable	111117	12	Bulk	8	9	5.5	4
5"	11"	n/a	¼"x¼" removable	111107	6	Bulk	8	9	11.25	4
6"	n/a	n/a	¼"x¼" removable	111177	12	Bulk	8	9	n/a	4
6"	6"	n/a	¼"x¼" removable	111119	12	Bulk	8	9	5.5	4
6"	11"	n/a	¼"x¼" removable	111109	6	Bulk	8	9	11.25	4
7"	n/a	n/a	¼"x¼" removable	111179	12	Bulk	10	11.25	n/a	5.375
7"	6"	n/a	¼"x¼" removable	111121	10	Bulk	10	11.25	5.5	5.375
7"	11"	n/a	¼"x¼" removable	111111	6	Bulk	10	11.25	11.25	5.375

**2020  
 REDESIGN ON  
 PAGE 1  
 (reverse side)**

**\*Discontinued  
 models will be  
 available for a  
 short time to help  
 finish projects**

SHEET METAL DIMENSIONS MAY VARY ± .15 INCHES

## LABELS



## WARRANTY

Complete Warranty Statement at <https://www.buildersbest.com>