



**Builder's Best, Inc.**  
 201 Broiles Drive  
 Jacksonville, TX 75766  
 903-586-8283  
 sales@venting.biz  
 BuildersBest.com

# GWM602 Spangled Galvanized Heavy Gauge Hood with 1/2" x 1/2" Screen

## DESCRIPTION

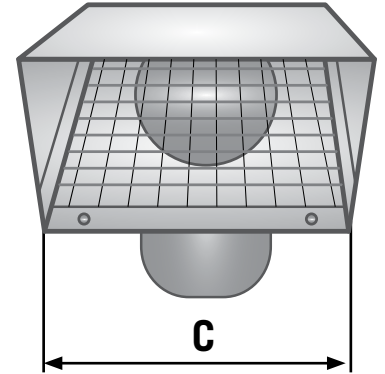
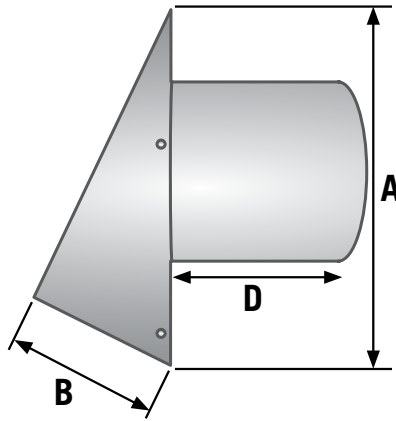
The GWM602 is a heavy duty galvanized wall vent hood.

## PRODUCT FEATURES

- Mouth opening exceeds pipe area for best airflow
- Riveted construction, no caulk
- 4 mounting holes for secure connections
- Available without tailpipe, with 6" tailpipe or 11" tailpipe

## PRODUCT SPECIFICATIONS

- 26 gauge galvanized mill finish steel
- 1/2" x 1/2" screens mechanically inserted and removable



## PART NUMBERS & DIMENSIONS

Dia.	Tail	Flapper	Screen	Case #	Qty	Pkg	A (in.)	B (in.)	C (in.)	D (in.)
4"	6"	n/a	1/2"x1/2" removable	111427	12	Bulk	7	4	5.25	6

## LABELS



## WARRANTY

Complete Warranty Statement at <https://www.buildersbest.com>