



Builder's Best, Inc.  
 201 Broiles Drive  
 Jacksonville, TX 75766  
 903-586-8283  
 sales@venting.biz  
 BuildersBest.com

# AWM634 Aluminum Heavy Gauge Hood with Spring Flapper and Screen

## DESCRIPTION

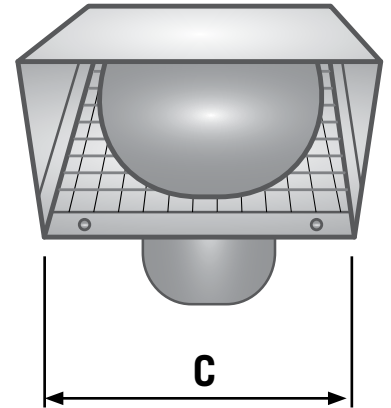
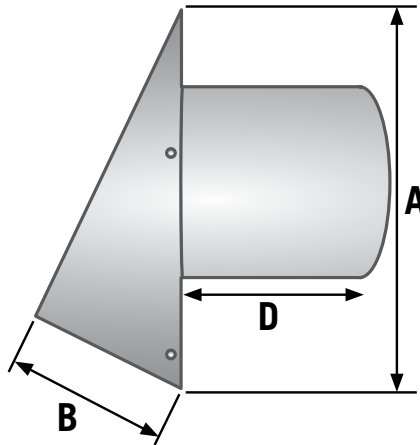
The AWM634 is a heavy duty aluminum wall vent hood with a spring loaded flapper and screen.

## PRODUCT FEATURES

- Mouth opening exceeds pipe area for best airflow
- Riveted construction, no caulk
- 4 mounting holes for secure connections
- Available without tailpipe, with 6" tailpipe or 11" tailpipe

## PRODUCT SPECIFICATIONS

- 24 gauge mill finish aluminum
- Spring flapper (rounded)
- ¼" x ¼" screens mechanically inserted and removable



## PART NUMBERS & DIMENSIONS

Dia.	Tail	Flapper	Screen	Case #	Qty	Pkg	A (in.)	B (in.)	C (in.)	D (in.)
6"	n/a	spring flapper	¼"x¼" removable	111403	12	bulk	9	4	8	n/a
6"	6"	spring flapper	¼"x¼" removable	111840	12	Bulk	9	4	8	6

## LABELS



## WARRANTY

Complete Warranty Statement at <https://www.buildersbest.com>