



**Builder's Best, Inc.**  
 201 Broiles Drive  
 Jacksonville, TX 75766  
 903-586-8283  
 sales@venting.biz  
 BuildersBest.com

# GWM630 Spangled Galvanized Heavy Gauge Hood with Spring Flapper

## DESCRIPTION

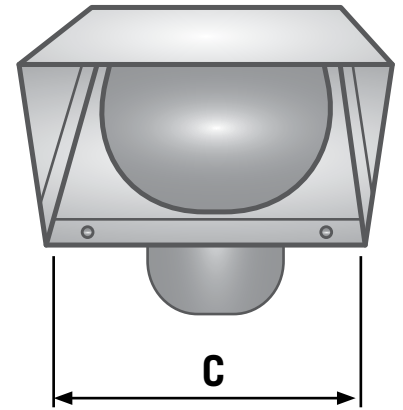
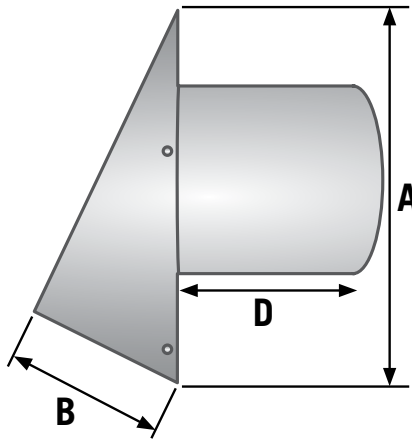
The GWM630 is a heavy duty galvanized wall vent hood with a spring loaded flapper.

## PRODUCT FEATURES

- Mouth opening exceeds pipe area for best airflow
- Riveted construction, no caulk
- 4 mounting holes for secure connections
- Available without tailpipe, with 6" tailpipe or 11" tailpipe

## PRODUCT SPECIFICATIONS

- 26 gauge galvanized mill finish steel
- Spring flapper (4"-6" rounded)



## PART NUMBERS & DIMENSIONS

Dia.	Tail	Flapper	Screen	Case #	Qty	Pkg	A (in.)	B (in.)	C (in.)	D (in.)
4"	11"	spring flapper	n/a	111643	20	Bulk	7	4	5.25	11
6"	11"	spring flapper	n/a	111644	12	Bulk	9	4	8	11

## LABELS



## WARRANTY

Complete Warranty Statement at <https://www.buildersbest.com>