



Builder's Best, Inc.
 201 Broiles Drive
 Jacksonville, TX 75766
 903-586-8283
 sales@venting.biz
 BuildersBest.com

GWM734 P-Tanium™ Paintable Heavy Gauge Hood with Spring Flapper & Screen

DESCRIPTION

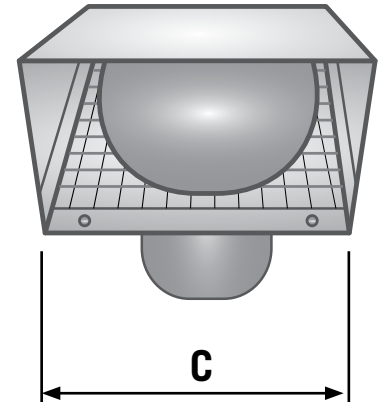
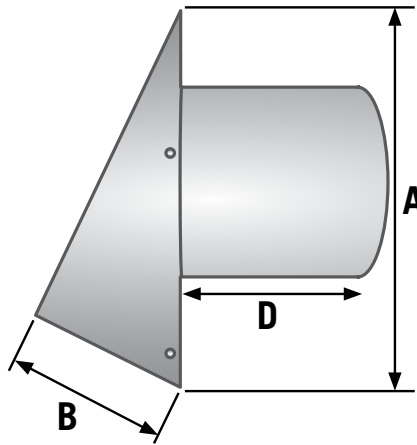
The GWM734 is a heavy duty galvanized wall vent hood made with P-Tanium™ paintable galvanized steel. The dark gray matte finish can be left unpainted if desired.

PRODUCT FEATURES

- Mouth opening exceeds pipe area for best airflow
- Riveted construction, no caulk
- 4 mounting holes for secure connections
- Available without tailpipe, with 6" tailpipe or 11" tailpipe

PRODUCT SPECIFICATIONS

- 26 gauge P-Tanium™ paintable galvanized steel
- Plain face (no logo)
- Spring flapper (4"-6" rounded)
- ¼" x ¼" screens mechanically inserted and removable



PART NUMBERS & DIMENSIONS

Dia.	Tail	Flapper	Screen	Case #	Qty	Pkg	A (in.)	B (in.)	C (in.)	D (in.)
4"	6"	spring flapper	¼"x¼" removable	111842	12	Bulk	7	4	5.25	6
6"	6"	spring flapper	¼"x¼" removable	111844	12	Bulk	9	4	8	6

LABELS



WARRANTY

Complete Warranty Statement at <https://www.buildersbest.com>