



Builder's Best, Inc.
 201 Broiles Drive
 Jacksonville, TX 75766
 903-586-8283
 sales@venting.biz
 BuildersBest.com

Periscope 29-50"



DESCRIPTION

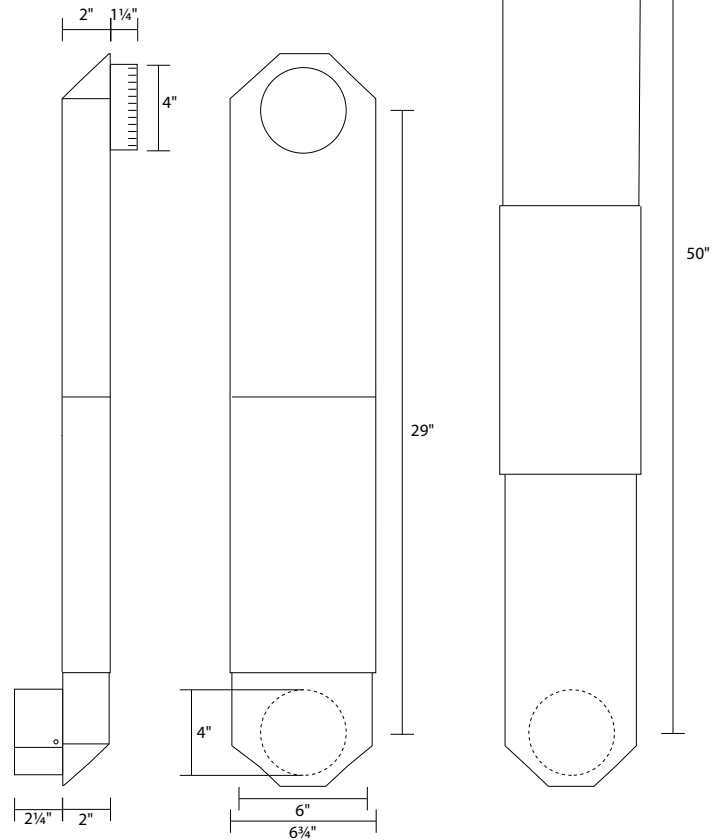
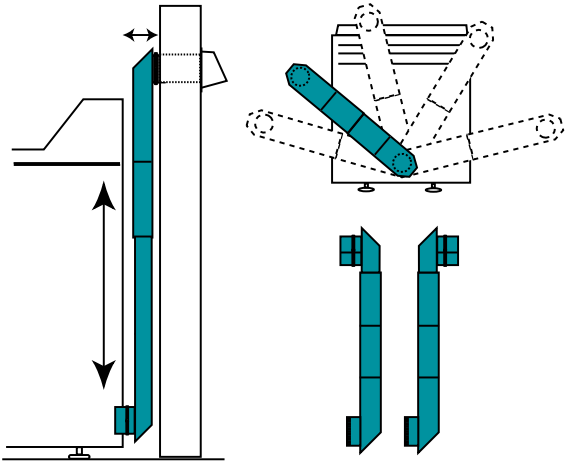
The 29-50" Periscope is a rigid aluminum clothes dryer duct which telescopes to the top of most dryers.

PRODUCT FEATURES

- Reaches the top of most dryers
- Four piece assembly
- Sections are reversible, for airflow same or opposite
- Smooth interior decreases air friction

PRODUCT SPECIFICATIONS

- 2" x 6" rigid 26 gauge aluminum
- 4" Draw band swiveling female collar
- 4" Crimped swiveling snap-lock male fitting



PART NUMBERS

Dia.	Length	Qty	Case #	Package	UPC#
4"	29-50"	4	110174	Display Box	722048101746
4"	29-50"	4	110117	Ind. Box	722048101173

RECOMMENDATIONS

- The International Mechanical Code recommends rigid metal duct for dryer exhaust as well as in-wall exhaust. IMC 504.6.1 & 504.8-3
- Dryer manufacturers specify "Only rigid or flexible metal vent shall be used for exhausting. Do not use plastic or metal foil vent."

PATENTS:

US 5,653,631; 5,943,743; 6,035,495; 5,121,948; D.342,782
 Canadian 2,062,123; 2,063,098; 2,201,956; 2,279,599

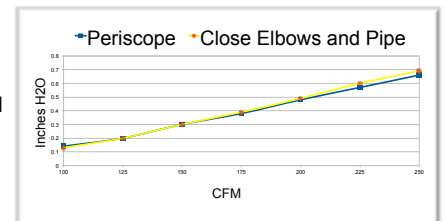
LABELS



PERFORMANCE DATA AND AIRFLOW

Pressure Rating:
 Positive: 6" WC max Negative: 6" WC max
 Maximum velocity: 5,000 FPM
 Operating Temp. Range: -100°F to+ 430°F
 Flame Spread 0 Smoke Developed 0
 INSTALLATION: (Installation instructions are included inside each carton.)

Periscopes provide nearly the same airflow properties as one semi-rigid metal flexible pipe with two Close Elbows®.



WARRANTY

Complete Warranty Statement at <https://www.buildersbest.com>