



Builder's Best, Inc.
 201 Broiles Drive
 Jacksonville, TX 75766
 903-586-8283
 sales@venting.biz
 BuildersBest.com

Standard Adjustable Elbow Aluminum

DESCRIPTION

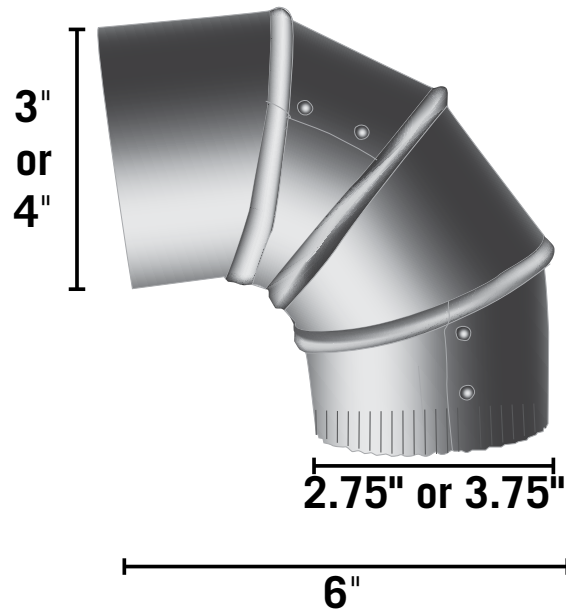
The Standard Adjustable Elbow is used for clothes dryer and general venting.

PRODUCT FEATURES

- One crimped end
- 4 piece sectional adjustability, from straight to 90° within 6"
- Can be used with rigid pipe, fitting applications and with flexible duct
- Used for positive and negative air pressure applications

PRODUCT SPECIFICATIONS

- .018 3105 H-24 Aluminum
- Total height when straight is 9"



PART NUMBERS

Dia.	Material	Each #	Qty	Case #	Package
3"	Aluminum	010543	12	110543	bulk
4"	Aluminum	011544	12	110544	bulk

LABELS



WARRANTY

Complete Warranty Statement at <https://www.buildersbest.com>