



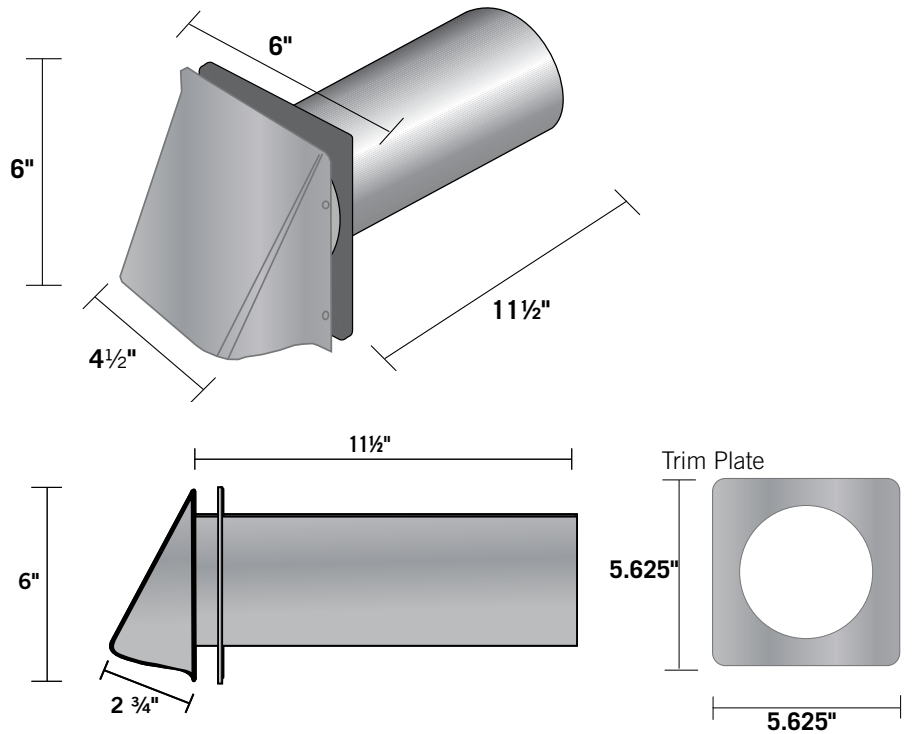
Builder's Best, Inc.
 201 Broiles Drive
 Jacksonville, TX 75766
 903-586-8283
 sales@venting.biz
 BuildersBest.com

ASM320 (WAS ASM277) ALUMINUM STANDARD MOUTH HOOD



PRODUCT SPECIFICATIONS

- 28 gauge aluminum
- Fully assembled riveted construction 11 1/2" tailpipe
- Aluminum trim plate
- Back-draft flapper



PART NUMBERS

ASM320 with flapper

Dia	Tail	Mouth	Flapper	Each #	Qty	Case #	Package	UPC	Labeled
3"	11.5"	standard	flapper	10276	12	110276	Bulk	722048102767	•
3"	11.5"	standard	flapper	10278	4	110278	Ind. Box	722048102781	•
4"	11.5"	standard	flapper	10277	12	110277	Bulk	722048102774	•
4"	11.5"	standard	flapper	10279	4	110279	Ind. Box	722048102798	•

Aluminum Trim Plate

* For aluminum hoods AWM3xx, ASM3xx, plastic hoods PWM6xx

Dia.	Note	Each #	Qty	Case #	Package	UPC	Labeled
3"		10126	100	110126	Bulk	722048101265	
4"		10122	100	110122	Bulk	722048101227	
4"	mounting holes	10912	100	110912	Bulk	722048109124	

LABELS



WARRANTY

Complete warranty statement www.buildersbest.com