



Builder's Best, Inc.
 201 Broiles Drive
 Jacksonville, TX 75766
 903-586-8283
 www.BuildersBest.com
 sales@venting.biz

AEV300 SERIES BUILDER'S BEST ALUMINUM EAVE VENT



AEV PROFILE WITH FEMALE TAIL



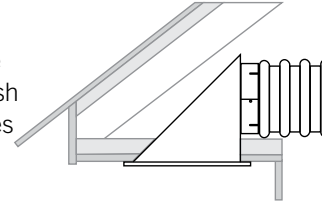
AEV320 10200
 WITH MALE TAIL AND FLAPPER



AEV WITH 1/4" SCREEN

DESCRIPTION

The Builder's Best AEV300 series is an all aluminum eave vent for clothes dryers and bathroom fans. It installs flush into the eave and provides a good solution for appliances venting through attics and crawl spaces.

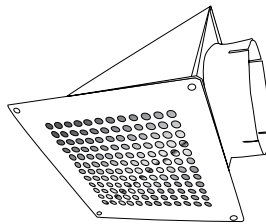
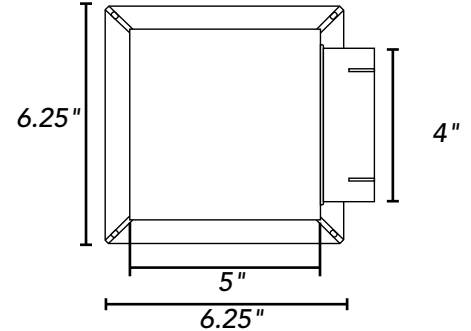
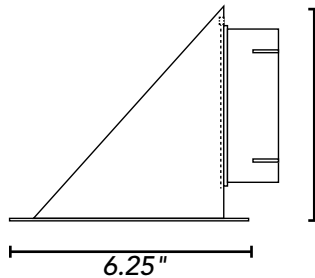


PRODUCT SPECIFICATIONS

- Aluminum construction
- Snap-Lock™ male and female tails connect to standard 4" connections or snap without clamps to other snap-lock collars
- Four mounting holes

RECOMMENDATIONS

Dryer vents should not be screened, per IBC code.
 10189 Intake does not have flapper, meeting IBC codes.



PART NUMBERS

AEV304 Intake

Dia.	Tail	Flapper	Screen	Each #	Qty	Case #	Package	UPC	Labeled
4"	female	n/a	1/4"x1/4", 1/4" round holes	10189	8	110189	Bulk	722048101890	

AEV320 Dryer Vent

Dia.	Tail	Flapper	Screen	Each #	Qty	Case #	Package	UPC	Labeled
4"	female	flapper	n/a	10166	8	110166	Display Card	722048101661	•
4"	female	flapper	n/a	10139	8	110139	Bulk	722048101395	
4"	male	flapper	n/a	10200	8	110200	Bulk	722048102002	



AEV324 Exhaust

Dia.	Tail	Flapper	Screen	Each #	Qty	Case #	Package	UPC	Labeled
4"	female	flapper	1/4"x1/4", 1/4" round holes	10188	8	110188	Bulk	722048101883	
4"	male	flapper	1/4"x1/4", 1/4" round holes	10199	8	110199	Bulk	722048101999	

LABELS



WARRANTY

Complete Warranty Statement at <https://www.buildersbest.com>