

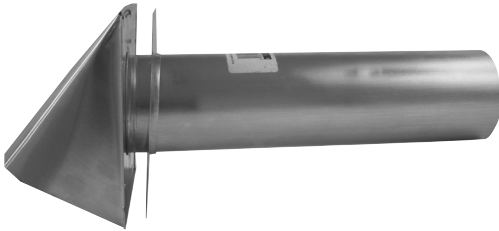


Builder's Best, Inc.
 201 Broiles Drive
 Jacksonville, TX 75766
 903-586-8283
 www.BuildersBest.com
 sales@venting.biz

AWM ALUMINUM WIDE MOUTH HOOD AWM320 & AWM324



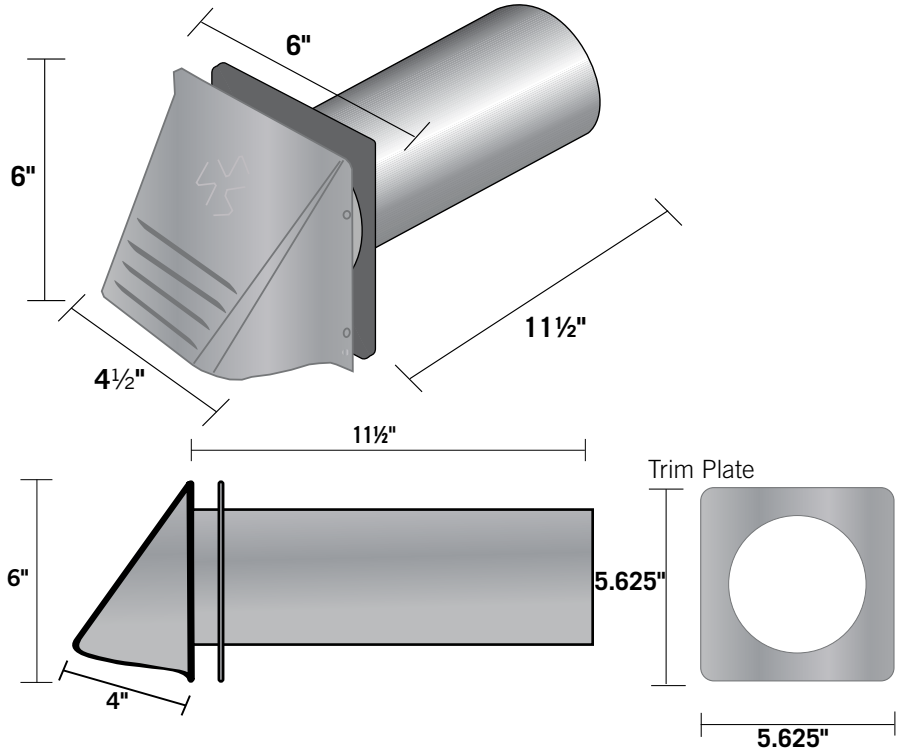
110271



110270

PRODUCT SPECIFICATIONS

- 28 gauge aluminum
- Fully assembled riveted construction 11 1/2 "tailpipe
- Aluminum trim plate
- Back-draft flapper
- Wide mouth for good airflow



PART NUMBERS

AWM320 WITH FLAPPER

Dia	Tail	Mouth	Flapper	Screen	Each #	Qty	Case #	Package	UPC	Labeled
4"	flush	wide	flapper	n/a	10557	24	110557	Bulk	722048105577	
4"	4 in	wide	flapper	n/a	10791	18	110791	Bulk	722048107915	
3"	11.5"	wide	flapper	n/a	10270	12	110270	Bulk	722048102705	•
3"	11.5"	wide	flapper	n/a	10328	4	110328	Ind. Box	722048103283	•
4"	11.5"	wide	flapper	n/a	10170	6	110170	Display Tray	722048101708	•
4"	11.5"	wide	flapper	n/a	10271	12	110271	Bulk	722048102712	•
4"	11.5"	wide	flapper	n/a	10326	4	110326	Ind. Box	722048103269	•

AWM324 WITH FLAPPER & SCREEN

Dia	Tail	Mouth	Flapper	Screen	Each #	Qty	Case #	Package	UPC	Labeled
4"	flush	wide	flapper	1/4"x1/4"	10786	24	110786	Bulk	722048107861	
4"	11.5"	wide	flapper	1/4"x1/4"	10684	12	110684	Bulk	722048106840	•

ALUMINUM TRIM PLATE

* For aluminum hoods AWM3xx, ASM3xx, plastic hoods PWM6xx

Dia.	Note	Each #	Qty	Case #	Package	UPC	Labeled
3"		10126	100	110126	Bulk	722048101265	
4"		10122	100	110122	Bulk	722048101227	
4"	mounting holes	10912	100	110912	Bulk	722048109124	

LABELS



WARRANTY

Complete Warranty Statement at <https://www.buildersbest.com>