



**Builder's Best, Inc.**  
 201 Broiles Drive  
 Jacksonville, TX 75766  
 903-586-8283  
 sales@venting.biz  
 BuildersBest.com

# GSM400 series Galvanized Standard Mouth P-Tanium™

## DESCRIPTION

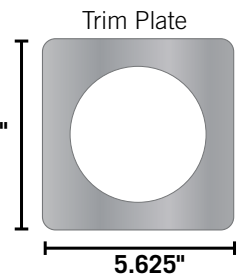
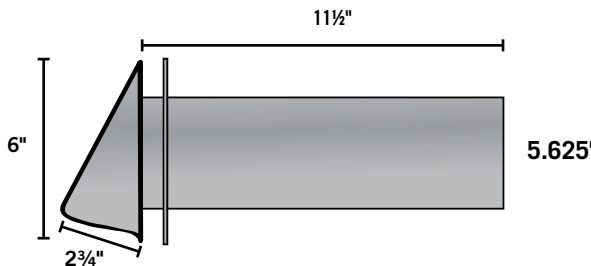
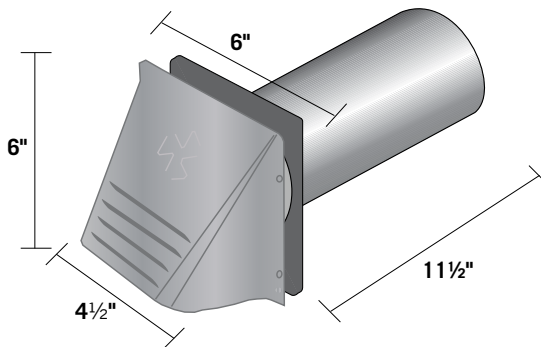
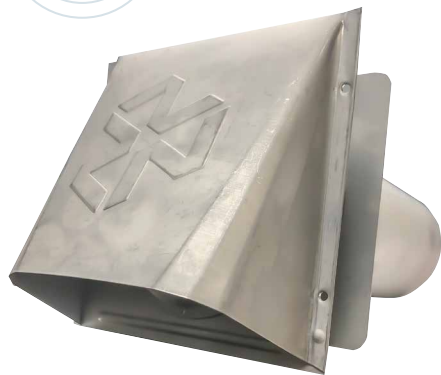
The GSM400 series is a durable galvanized wall vent hood made with P-Tanium™ paintable galvanized steel. The gray matte finish can be left unpainted if desired.

## PRODUCT FEATURES

- Riveted construction
- Four mounting holes
- Galvanized trim plate

## PRODUCT SPECIFICATIONS

- 30 gauge paintable galvanized
- Available with and without Flapper
- Available with and without 1/4" x 1/4" screen



## GSM404 STANDARD MOUTH WITH SCREEN

Dia.	Tail Length	Mouth	Flapper	Screen	Each #	Qty	Case #	Package	UPC	Labeled
4"	11.5"	standard	no	1/4"x1/4"	10729	12	110729	Bulk	722048107298	•

## GSM420 STANDARD MOUTH WITH FLAPPER

Dia.	Tail Length	Mouth	Flapper	Screen	Each #	Qty	Case #	Package	UPC	Labeled
3"	11.5"	standard	flapper	n/a	10883	12	110883	Bulk	722048108837	
4"	flush	standard	flapper	n/a	11419	24	111419	Bulk	722048114197	
4"	11.5"	standard	flapper	n/a	10885	12	110885	Bulk	722048108851	•
4"	11.5"	standard	flapper	n/a	10750	4	110750	Ind. Box	722048107502	•

## P-TANIUM™ TRIM PLATES

Dia.	Each #	Qty	Case #	Package	UPC	Labeled
3"	10056	100	110056	Bulk	722048100565	
4"	10057	100	110057	Bulk	722048100572	

