



Builder's Best, Inc.
 201 Broiles Drive
 Jacksonville, TX 75766
 903-586-8283
 sales@venting.biz
 BuildersBest.com

ADAPTERS FOR ROOF: RV28, RVL28 & EAVE SV28



PLEASE SEE REVERSE
 FOR CURRENT PRIMEX TECH SPECS

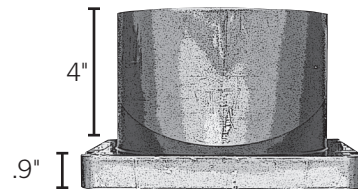
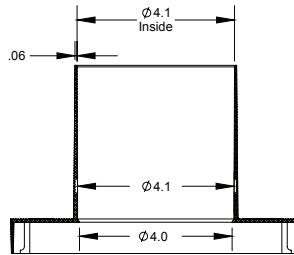
- Patented design eliminates leaky joints and maximizes water protection.
- Long lasting durability with UV-protected, impact-resistant polymer resin.
- Five sizes available for 4, 5, 6, 7 or 8-inch ducting.
- Easy snap-in adapter for use with:
 Roof Vent Hood: RV28, RVL28
 Eave Vent Hood: SV28.

PART NUMBERS

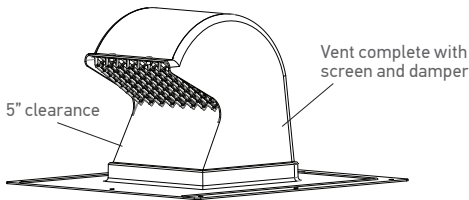
Dia.	Color	Old #	New PN	Qty	Package
4"	black	111787	RV28-4	30	Bulk
5"	black	111788	RV28-5	30	Bulk
6"	black	111789	RV28-6	25	Bulk
7"	black	111790	RV28-7	25	Bulk
8"	black	111791	RV28-8	18	Bulk

DIMENSIONS

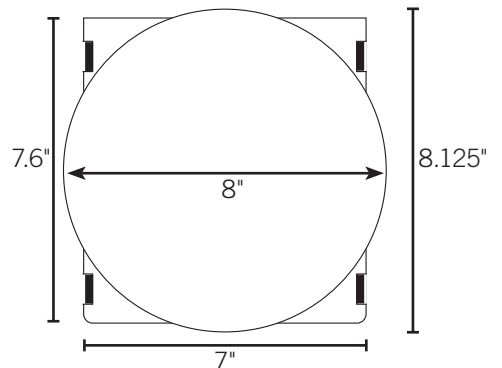
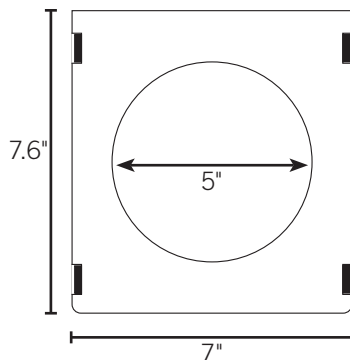
4" Diameter:



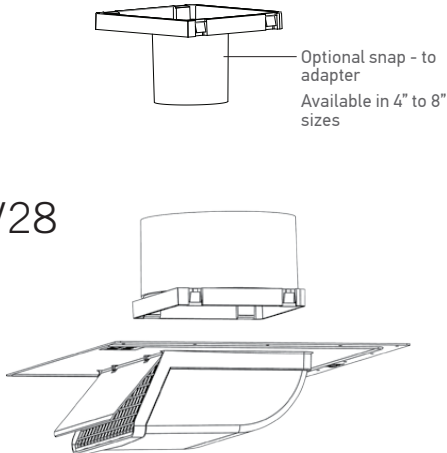
RV28



5" Diameter



SV28



LABELS

Builder's Best is an
 Authorized Primex Distribution Partner
 Primex is Made in Canada



WARRANTY

Please contact Primex: info@primexvents.com for warranty information.

RV28-45678 Vent Adapters

Technical Data Sheet

FEATURES & BENEFITS

- Patented design eliminates leaky joints and maximizes water protection.
- Long lasting durability with UV-protected, impact-resistant polymer resin.
- Five sizes available for 4, 5, 6, 7 or 8-inch ducting.
- Easy snap-in adapter for use with RV28, RVL28, WC28 and SV28.
- Quick and easy installation.

PRODUCT DIMENSIONS

SIZE: H: 15.7" / W: 15.3" / D: 9.5"

COLOURS

- Black (25)

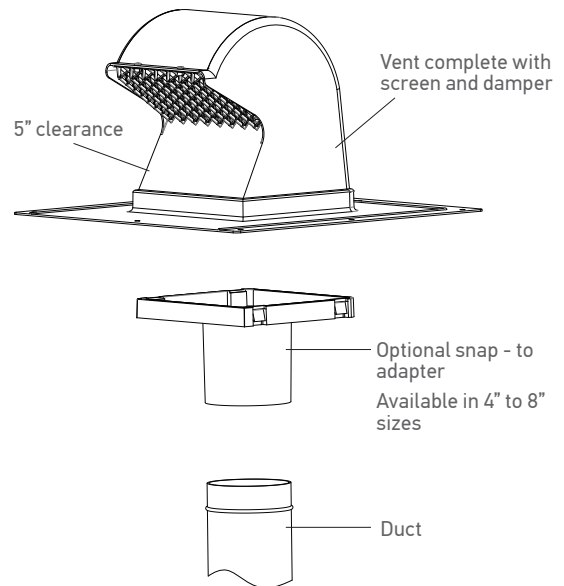
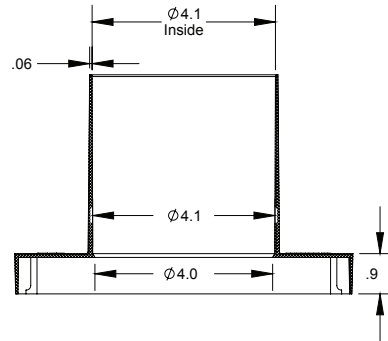
APPLICATIONS

- Dryer Venting
- Bathroom Venting
- Range Venting
- Heat Recovery Venting (HRV)
- Intake

PART NUMBER/SIZING

Part #	Size	Free Area	Description	Pkg
RV28-4	4" Dia.	12.6 sq. in.	Duct adapter: 4"	30/box
RV28-5	5" Dia.	19.6 sq. in.	Duct adapter: 5"	30/box
RV28-6	6" Dia.	26.5 sq. in.	Duct adapter: 6"	25/box
RV28-7	7" Dia.	26.5 sq. in.	Duct adapter: 7"	25/box
RV28-8	8" Dia.	26.5 sq. in.	Duct adapter: 8"	18/box

TECHNICAL DRAWING



CONTACT US FOR MORE INFORMATION:

1.604.881.7875 | info@primexvents.com

01/20

