



Builder's Best, Inc.  
201 Broiles Drive  
Jacksonville, TX 75766  
903-586-8283  
sales@venting.biz  
BuildersBest.com

# GWM704 P-Tanium™ Paintable Heavy Gauge Hood with Screen

## 2020 REDESIGN

### DESCRIPTION

The GWM704 is a heavy duty galvanized wall vent hood made with P-Tanium™ paintable galvanized steel. The dark gray matte finish can be left unpainted if desired.

### PRODUCT FEATURES

- Mouth opening exceeds pipe area for best airflow
- Riveted construction
- 4 mounting holes for secure connections
- Available without tailpipe, with 6" tailpipe or 11" tailpipe
- Tailpipe features 360° mechanical seam

### PRODUCT SPECIFICATIONS

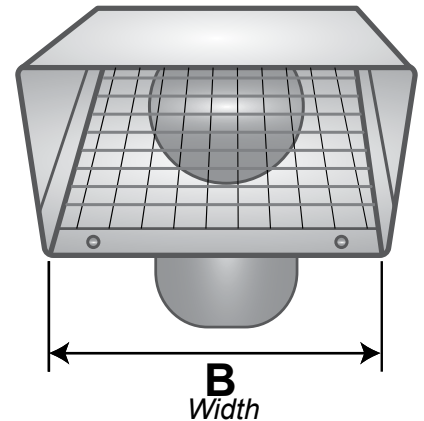
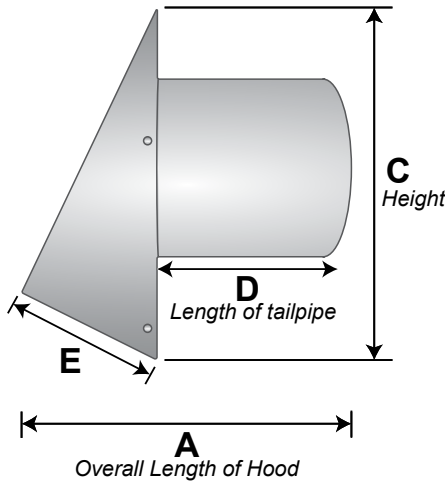
- 26 gauge P-Tanium™ paintable galvanized steel
- Plain face (no logo)
- ¼" x ¼" screens mechanically inserted and removable



PN 12506



PN 12506



### PART NUMBERS & DIMENSIONS

Dia.	Tail	Flapper	Screen	Each #	Qty	Case #	Pkg	A (in.)	B (in.)	C (in.)	D (in.)	E (in.)	Open Area
4"	n/a	n/a	¼"x¼" removable	12042	20	112042	Bulk	3.875	5.25	7	n/a	4	18.75
4"	6"	n/a	¼"x¼" removable	12067	12	112067	Bulk	8.875	5.25	7	5.5	4	18.75
4"	11"	n/a	¼"x¼" removable	12068	12	112068	Bulk	14.5	5.25	7	11.25	4	18.75
5"	n/a	n/a	¼"x¼" removable	12501	12	112501	Bulk	4.5	8.25	10	n/a	5.375	40
5"	6"	n/a	¼"x¼" removable	12502	12	112502	Bulk	10.25	8.25	10	5.5	5.375	40
5"	11"	n/a	¼"x¼" removable	12503	6	112503	Bulk	15.75	8.25	10	11.25	5.375	40
6"	n/a	n/a	¼"x¼" removable	12504	12	112504	Bulk	4.5	8.25	10	n/a	5.375	40
6"	6"	n/a	¼"x¼" removable	12505	12	112505	Bulk	10.25	8.25	10	5.5	5.375	40
6"	11"	n/a	¼"x¼" removable	12506	6	112506	Bulk	15.75	8.25	10	11.25	5.375	40
7"	n/a	n/a	¼"x¼" removable	12507	12	112507	Bulk	4.5	8.25	10	n/a	5.375	40
7"	6"	n/a	¼"x¼" removable	12508	12	112508	Bulk	10.25	8.25	10	5.5	5.375	40
7"	11"	n/a	¼"x¼" removable	12509	6	112509	Bulk	15.75	8.25	10	11.25	5.375	40
8"	n/a	n/a	¼"x¼" removable	12115	12	112115	Bulk	4.5	10.25	11.25	n/a	5.5	52
8"	6"	n/a	¼"x¼" removable	12243	10	112243	Bulk	10.25	10.25	11.25	5.5	5.5	52
8"	11"	n/a	¼"x¼" removable	12245	6	112245	Bulk	16	10.25	11.25	11.25	5.5	52

**5-7" discontinued model dimensions are on page 2 (reverse side)**

**Discontinued models on page 2 (reverse side) will be available for a short time to help finish projects**

SHEET METAL DIMENSIONS MAY VARY ± .15 INCHES

### LABELS



### WARRANTY

Complete Warranty Statement at <https://www.buildersbest.com>

GWM704 heavy ptanium with screen V8 7/10/20



Builder's Best, Inc.  
201 Broiles Drive  
Jacksonville, TX 75766  
903-586-8283  
sales@venting.biz  
BuildersBest.com

# GWM704 P-Tanium™ Paintable Heavy Gauge Hood with Screen

**DISCONTINUED\***

## DESCRIPTION

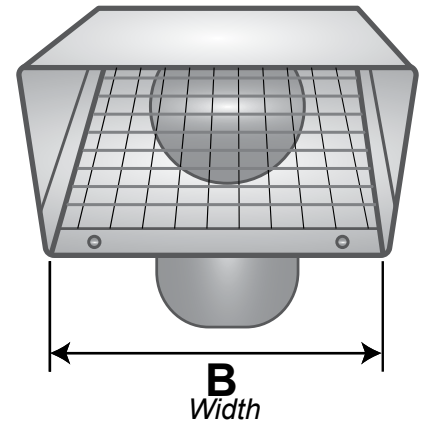
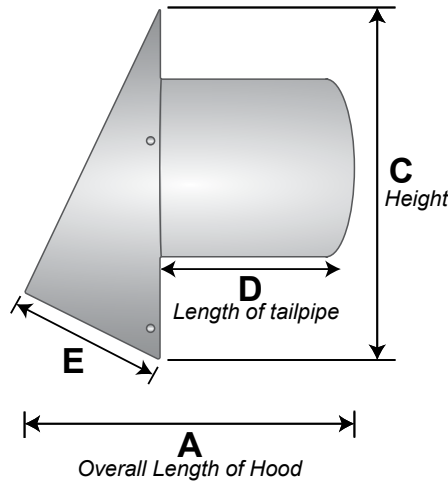
The GWM704 is a heavy duty galvanized wall vent hood made with P-Tanium™ paintable galvanized steel. The dark gray matte finish can be left unpainted if desired.

## PRODUCT FEATURES

- Riveted construction
- 4 mounting holes for secure connections
- Available without tailpipe, with 6" tailpipe or 11" tailpipe
- Tailpipe features 360° mechanical seam

## PRODUCT SPECIFICATIONS

- 26 gauge P-Tanium™ paintable galvanized steel
- Plain face (no logo)
- ¼" x ¼" screens mechanically inserted and removable



## DISCONTINUED\* PART NUMBERS & DIMENSIONS

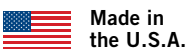
Dia.	Tail	Flapper	Screen	Each #	Qty	Case #	Pkg	B (in.)	C (in.)	D (in.)	E (in.)
5"	n/a	n/a	¼"x¼" removable	12216	12	112216	Bulk	8	9	n/a	4
5"	6"	n/a	¼"x¼" removable	12212	12	112212	Bulk	8	9	6	4
5"	11"	n/a	¼"x¼" removable	12213	6	112213	Bulk	8	9	11	4
6"	n/a	n/a	¼"x¼" removable	12044	12	112044	Bulk	8	9	n/a	4
6"	6"	n/a	¼"x¼" removable	12240	12	112240	Bulk	8	9	6	4
6"	11"	n/a	¼"x¼" removable	12215	6	112215	Bulk	8	9	11	4
7"	n/a	n/a	¼"x¼" removable	12415	12	112415	Bulk	10	11.25	n/a	5.375
7"	6"	n/a	¼"x¼" removable	12314	10	112314	Bulk	10	11.25	6	5.375
7"	11"	n/a	¼"x¼" removable	11839	6	111839	Bulk	10	11.25	11	5.375

**2020  
REDESIGN ON  
PAGE 1  
(reverse side)**

**\*Discontinued  
models will be  
available for a  
short time to help  
finish projects**

SHEET METAL DIMENSIONS MAY VARY ± .15 INCHES

## LABELS



## WARRANTY

Complete Warranty Statement at <https://www.buildersbest.com>

GWM704 heavy ptanium with screen V7 6/23/20