



**Builder's Best, Inc.**  
 201 Broiles Drive  
 Jacksonville, TX 75766  
 903-586-8283  
 sales@venting.biz  
 BuildersBest.com

# J-BLOCK HOOD

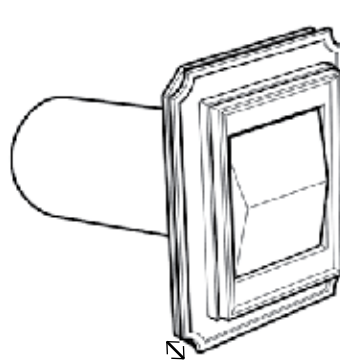
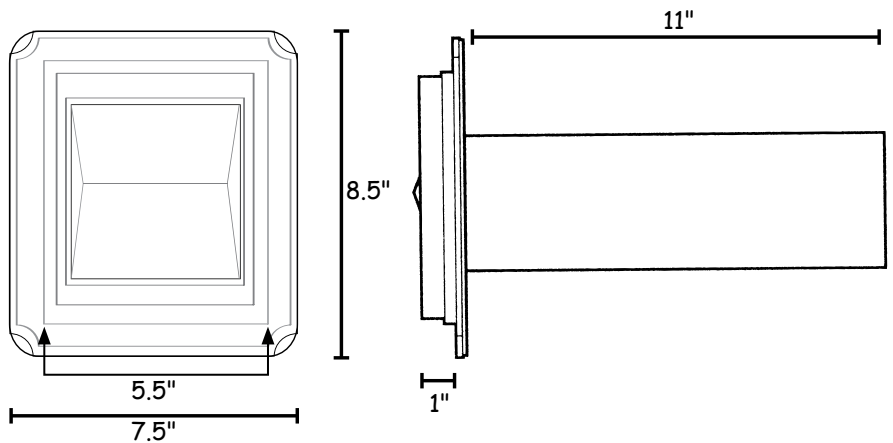
## PRODUCT DESCRIPTION

The J-Block is a low-profile hood designed for brick, siding & stucco applications suitable for clothes dryer exhaust or bathroom fan venting..

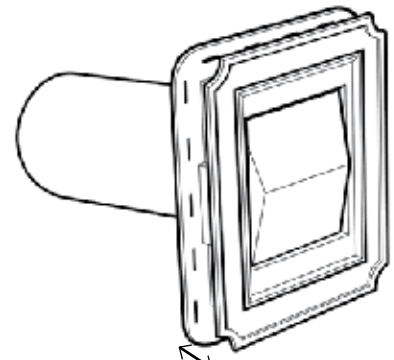
## SPECIFICATIONS

- Polypropylene plastic modified for impact and UV resistance with a wood grain type finish
- Weighted back-draft flapper helps prevent wind noise and animal entry
- Reversible trim ring for varying installation depths

## DIMENSIONS



Adjusts 0 to .5"



Adjusts .5 to 1.15"

## PART NUMBERS

Dia.	Tail	Color	Note	Trim Ring	Flapper	Each #	Qty	Case #	Package	UPC	Labeled
4"	flush	white		Reversible, adjusts from 0 to ½"	weighted	11714	12	111714	Bulk	662671645906	•
4"	flush	brown		Reversible, adjusts from 0 to ½"	weighted	11715	12	111715	Bulk	662671645890	•
4"	flush	white		Reversible, adjusts from ½" to 1.15"	weighted	11716	12	111716	Bulk	662671645883	•
4"	flush	brown		Reversible, adjusts from ½" to 1.15"	weighted	11717	12	111717	Bulk	662671645876	•
4"	11"	white	unassembled	Reversible, adjusts from 0 to ½"	weighted	11705	12	111705	Bulk	722048117051	
4"	11"	brown	unassembled	Reversible, adjusts from 0 to ½"	weighted	11712	12	111712	Bulk	722048117129	
4"	11"	white	unassembled	Reversible, adjusts from ½" to 1.15"	weighted	11706	12	111706	Bulk	722048117068	
4"	11"	brown	unassembled	Reversible, adjusts from ½" to 1.15"	weighted	11713	12	111713	Bulk	722048117136	

## LABELS

MADE IN CANADA BY DURAFLO/CANPLAS

## WARRANTY

COMPLETE WARRANTY STATEMENT AT [HTTPS://WWW.BUILDERSBEST.COM](https://www.buildersbest.com)