



Builder's Best, Inc.
 201 Broiles Drive
 Jacksonville, TX 75766
 903-586-8283
 sales@venting.biz
 BuildersBest.com

DRYER OUTLET BOX

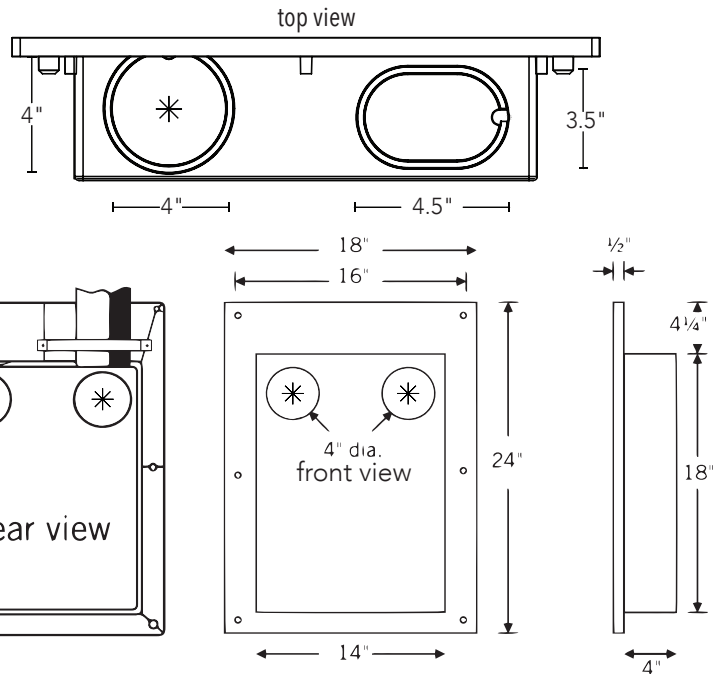
PRODUCT SPECIFICATIONS

- One Self trimming unit: 18" wide by 24" high
- Fits all 16" centers 2x4's and 2x6's;
- Six patented rip-tab knockouts in most common positions
 - Four true 4" diameter knockouts (two rear, two right upper and lower)
 - Two 3" x 4.5" oval knockouts (left upper and lower)*Oval knockouts are provided for non-standard connections to existing venting (i.e. squashed duct), or for a round to oval adapter.*
- 4 starburst knockouts for gas connections and venting
- 6 pre-drilled mounting holes
- Plastic meets UL® standard 94 HB tests for flammability
- Six screws included



PART NUMBERS

Description	Part #	Qty	Package
Single Box	110697	10	Bulk
	110698	3	Ind. Box
	110696	3	Display Box
Kit with round to oval adapter	111563	3	Display Box
Kit for 8' ceiling	111000	5	Ind. Box
Kit for 10' ceiling	111001	5	Ind. Box



Round to oval adapter



Periscope section



Rectangle to round adapter

DISPLAY SAMPLE

Box with adhesive label



KITS

- PN 111563 includes a round to oval adapter
- PN 111000 includes one Aluminum Periscope for 8' ceiling and two rectangle to round adapters
- PN 111001 includes one Aluminum Periscope for 10' ceiling and two rectangle to round adapters

RECOMMENDATIONS

- Proper maximum operating temperature of a dryer is approximately 180°
- The UL® standard 94HB tests at 200°. Melting point is 350-380°

WARRANTY

COMPLETE WARRANTY STATEMENT AT [HTTPS://WWW.BUILDERSBEST.COM](https://www.buildersbest.com)

Dryer Outlet Box V5 8/17/20

LABELS

US Patent 10,125,899

