



Builder's Best, Inc.
 201 Broiles Drive
 Jacksonville, TX 75766
 903-586-8283
 sales@venting.biz
 BuildersBest.com

GWM624 Mill Finish Galvanized Heavy Gauge Hood with Flapper & Screen 2020 REDESIGN

DESCRIPTION

The GWM624 is a heavy duty galvanized wall vent hood.

PRODUCT FEATURES

- Riveted construction
- 4 mounting holes for secure connections
- Available without tailpipe, with 6" tailpipe or 11" tailpipe
- Tailpipe features 360° mechanical seam

PRODUCT SPECIFICATIONS

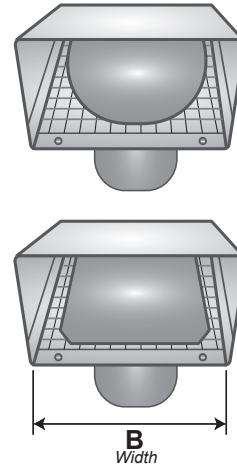
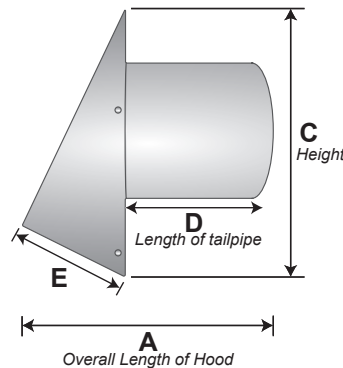
- 26 gauge galvanized mill finish steel
- Flapper (4" rounded, 5"- 12" squared)
- ¼" x ¼" screen mechanically inserted and removable



PN 12487



PN 12487



PART NUMBERS & DIMENSIONS

Dia.	Tail	Flapper	Screen	Each #	Qty	Case #	Pkg	A (in.)	B (in.)	C (in.)	D (in.)	E (in.)	Open Area
4"	n/a	flapper	¼"x¼" removable	11229	20	111229	Bulk	3.375	5.25	7	n/a	4	18.75
4"	6"	flapper	¼"x¼" removable	11033	12	111033	Bulk	8.875	5.25	7	5.5	4	18.75
4"	11"	flapper	¼"x¼" removable	11022	12	011023	Bulk	14.5	5.25	7	11.25	4	18.75
5"	n/a	flapper	¼"x¼" removable	12483	12	112483	Bulk	4.5	8.25	10	n/a	5.375	40
5"	6"	flapper	¼"x¼" removable	12484	12	112484	Bulk	10.25	8.25	10	5.5	5.375	40
5"	11"	flapper	¼"x¼" removable	12485	6	112485	Bulk	15.75	8.25	10	11.25	5.375	40
6"	n/a	flapper	¼"x¼" removable	12486	12	112486	Bulk	4.5	8.25	10	n/a	5.375	40
6"	6"	flapper	¼"x¼" removable	12487	12	112487	Bulk	10.25	8.25	10	5.5	5.375	40
6"	11"	flapper	¼"x¼" removable	12488	6	112488	Bulk	15.75	8.25	10	11.25	5.375	40
7"	n/a	flapper	¼"x¼" removable	12489	12	112489	Bulk	4.5	8.25	10	n/a	5.375	40
7"	6"	flapper	¼"x¼" removable	12490	12	112490	Bulk	10.25	8.25	10	5.5	5.375	40
7"	11"	flapper	¼"x¼" removable	12491	6	112491	Bulk	15.75	8.25	10	11.25	5.375	40
8"	n/a	flapper	¼"x¼" removable	11237	12	111237	Bulk	4.5	10.25	11.25	n/a	5.5	52
8"	6"	flapper	¼"x¼" removable	11039	10	111039	Bulk	10.25	10.25	11.25	5.5	5.5	52
8"	11"	flapper	¼"x¼" removable	11028	6	111028	Bulk	16	10.25	11.25	11.25	5.5	52
10"	n/a	flapper	¼"x¼" removable	11239	2	111239	Bulk	6.25	12.25	14.25	n/a	7	80
10"	6"	flapper	¼"x¼" removable	11040	2	111040	Bulk	11.75	12.25	14.25	5.5	7	80
10"	11"	flapper	¼"x¼" removable	11029	1	011029	Ind Box	17.5	12.25	14.25	11.25	7	80
12"	n/a	flapper	¼"x¼" removable	11241	2	111241	Bulk	6.25	14.25	14.25	n/a	7	99
12"	6"	flapper	¼"x¼" removable	11041	2	111041	Bulk	11.75	14.25	14.25	5.5	7	99
12"	11"	flapper	¼"x¼" removable	11030	1	011030	Ind Box	17.5	14.25	14.25	11.25	7	99

SHEET METAL DIMENSIONS MAY VARY ± .15 INCHES

WARRANTY

Complete Warranty Statement at <https://www.buildersbest.com>

**5-7"
discontinued
model
dimensions
are on page 2
(reverse side)**

**Discontinued
models on page 2
(reverse side)
will be available
for a short time
to help finish
projects**

LABELS





Builder's Best, Inc.
 201 Broiles Drive
 Jacksonville, TX 75766
 903-586-8283
 sales@venting.biz
 BuildersBest.com

GWM624 Mill Finish Galvanized Heavy Gauge Hood with Flapper & Screen **DISCONTINUED***

DESCRIPTION

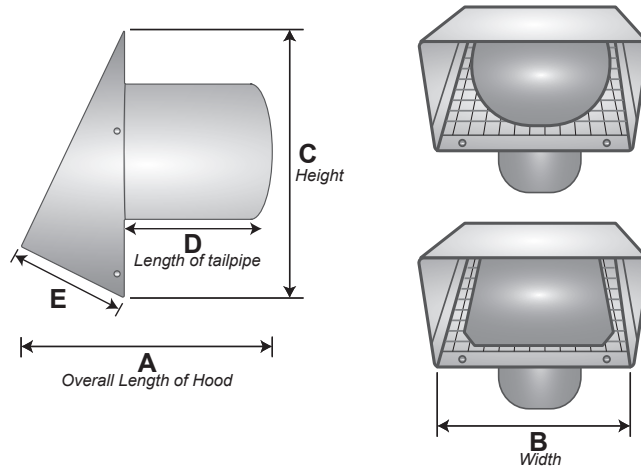
The GWM624 is a heavy duty galvanized wall vent hood.

PRODUCT FEATURES

- Riveted construction
- 4 mounting holes for secure connections
- Available without tailpipe, with 6" tailpipe or 11" tailpipe
- Tailpipe features 360° mechanical seam

PRODUCT SPECIFICATIONS

- 26 gauge galvanized mill finish steel
- Flapper (4-6" rounded, 7"- 12" squared)
- ¼" x ¼" screen mechanically inserted and removable



DISCONTINUED* PART NUMBERS & DIMENSIONS

Dia.	Tail	Flapper	Screen	Case #	Qty	Pkg	B (in.)	C (in.)	D (in.)	E (in.)
5"	n/a	flapper	¼"x¼" removable	111231	12	Bulk	8	9	n/a	4
5"	6"	flapper	¼"x¼" removable	111035	12	Bulk	8	9	6	4
5"	11"	flapper	¼"x¼" removable	111024	6	Bulk	8	9	11	4
6"	n/a	flapper	¼"x¼" removable	111233	12	Bulk	8	9	n/a	4
6"	6"	flapper	¼"x¼" removable	111037	12	Bulk	8	9	6	4
6"	11"	flapper	¼"x¼" removable	111026	6	Bulk	8	9	11	4
7"	n/a	flapper	¼"x¼" removable	111235	12	Bulk	10	11.25	n/a	5.375
7"	6"	flapper	¼"x¼" removable	111038	10	Bulk	10	11.25	6	5.375
7"	11"	flapper	¼"x¼" removable	111027	6	Bulk	10	11.25	11	5.375

**2020
 REDESIGN ON
 PAGE 1
 (reverse side)**

***Discontinued
 models will be
 available for a
 short time to help
 finish projects**

SHEET METAL DIMENSIONS MAY VARY ± .15 INCHES

WARRANTY

Complete Warranty Statement at <https://www.buildersbest.com>

LABELS

