



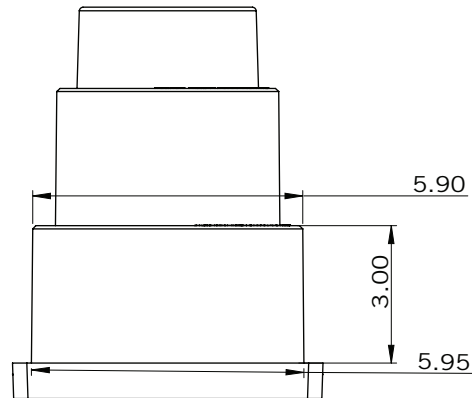
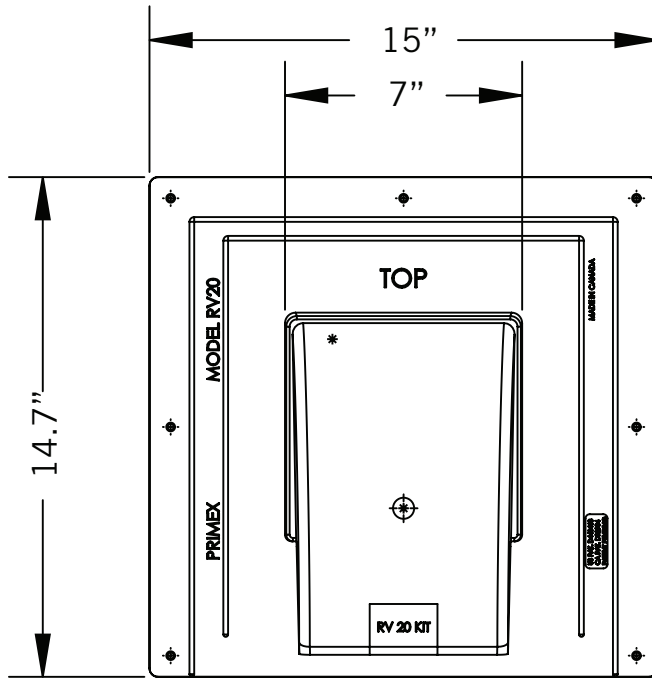
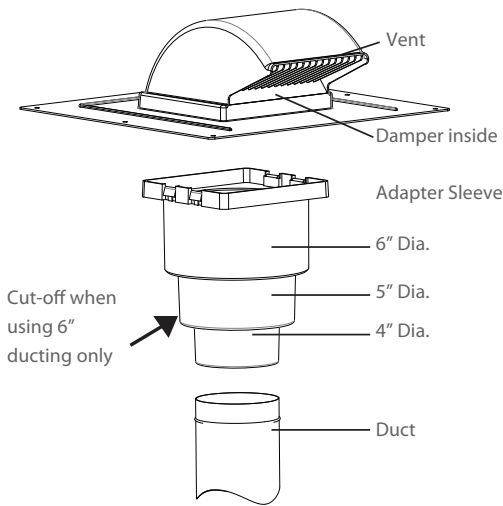
**Builder's Best, Inc.**  
 201 Broiles Drive  
 Jacksonville, TX 75766  
 903-586-8283  
 sales@venting.biz  
 www.BuildersBest.com

# PRIMEX RV20 LOW PROFILE ROOF VENT KIT

## PRODUCT SPECIFICATIONS



- 20 sq. inches of "free area"
- One piece molded hood maximizes protection from leaks
- Fixed Screen
- Removable damper
- UV protected polymer resin
- Hood size: 6.5" x 7" x 4.9"



## PART NUMBERS

Dia.	Color	Mouth	Damper	Screen	Old PN	New PN	Qty	Package
4"-5"-6"	black	wide	removable	1/2" x 1/2"	111866	RV2025KIT	10	Bulk

## LABELS



Builder's Best is an  
 Authorized Primex Distribution Partner  
 Primex is Made in Canada

## WARRANTY

Please contact Primex [info@primexvents.com](mailto:info@primexvents.com) for warranty information.  
 See Pg 2 for Primex Technical Data Sheet

# RV20

## Low-Profile Roof Vent

# Technical Data Sheet

### FEATURES & BENEFITS

- Patented design eliminates leaky joints and maximizes water protection with one-piece molded hood and over-sized flange.
- Aesthetically-pleasing, low-profile styling.
- Molded-in screen to prevent bird and rodent infiltration.
- Long lasting durability with UV-protected, impact-resistant polymer resin.
- Compatible with 4, 5 or 6-inch ducting with included RV456 easy snap-in adapter.
- Simple intake/exhaust conversion via removable damper.
- Quick and easy installation with, installer-friendly packaging (vent/adapter bagged together).

\* For dryer applications use 'no screen' (NS) model.

### PRODUCT DIMENSIONS

HOOD SIZE: H: 6.5" / W: 7" / D: 4.9"

### COLOURS

- Black (25)
- Light Grey (31)
- Dark Grey (28)
- Tan (45)
- Dark Brown (68)

### APPLICATIONS

- Dryer Venting
- Bathroom Venting
- Range Venting
- Heat Recovery Venting (HRV)
- Intake

### PART NUMBER/SIZING

Part #	Size	Free Area	Description	Pkg
RV20KIT	4", 5", 6"	20.9 sq. in.	With screen, damper, RV456 adapter	10/box
RV20KITNS*	4", 5", 6"	21.4 sq. in.	w/o screen, damper, RV456 adapter	10/box

### TECHNICAL DRAWING

