



Builder's Best, Inc.
 201 Broiles Drive
 Jacksonville, TX 75766
 903-586-8283
 sales@venting.biz
 BuildersBest.com

PRIMEX SM SIDE WALL CAPS SURFACE MOUNT WALL VENTS



PRODUCT SPECIFICATIONS

- UV-stabilized durable polymer resin
- One-piece, seamless design helps eliminate leaky joints while maximizing water protection
- Spring loaded damper reduces noise caused by wind
- Removable screen
- Surface mount



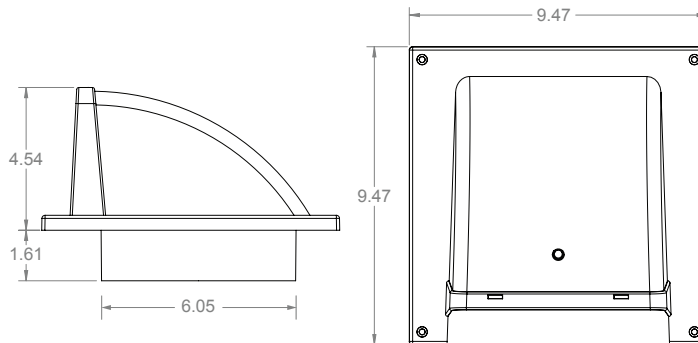
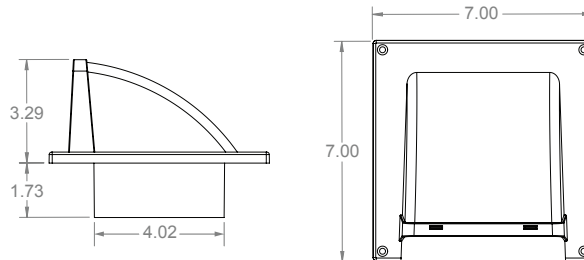
PART NUMBERS

Part numbers shown are stocked.
 Other Primex items are special orders.

Dia.	Color	Flapper	Screen	New PN	Qty	Package	UPC
4"	white	spring	removable ½" x ½"	SM401	24	Bulk	
4"	light grey	spring	removable ½" x ½"	SM431	24	Bulk	
5"	light grey	spring	removable ½" x ½"	SM531	10	Bulk	•
6"	white	spring	removable ½" x ½"	SM601	10	Bulk	
6"	light grey	spring	removable ½" x ½"	SM631	10	Bulk	

RECOMMENDATIONS

The International Residential Code states in Section M1502 for Clothes Dryer Exhaust "screens shall not be installed at the duct termination."



LABELS

Builder's Best is an
 Authorized Primex Distribution Partner
 Primex is Made in Canada



WARRANTY

Please contact info@primexvents.com for warranty information.

SM Series Surface Mount Wall Vents

Technical Data Sheet

FEATURES & BENEFITS

- Eliminates leaky joints while maximizing water protection with one-piece, seamless design.
- Suitable for intake and exhaust applications via removable damper.
- Spring loaded damper reduces wind flapping.
- Made with UV-stabilized durable polymer resin.
- Highly resistant to mechanical impact.
- Surface mounted for quick and easy installation.
- Removable screen for dryer venting applications.

COLOURS

- Snow White (01)
- Light Grey (31)
- Dark Grey (28)
- Taupe (23)
- Dark Brown (68)

APPLICATIONS

- Dryer Venting
- Bathroom Venting
- Range Venting
- Heat Recovery Venting (HRV)
- Intake

PART NUMBER/SIZING

Part #	Size	Free Area	Description	Pkg
SM4	4" Dia.	9.7 sq. in.*	Fits 4" ducting	24/box
SM5	5" Dia.	19.3 sq. in.*	Fits 5" ducting	10/box
SM6	6" Dia.	19.3 sq. in.*	Fits 6" ducting	10/box

*Free area does not account for spring loading

TECHNICAL DRAWING

