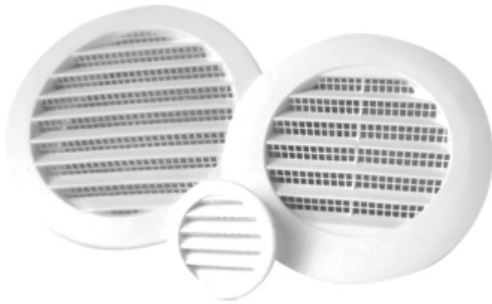




Builder's Best, Inc.
 201 Broiles Drive
 Jacksonville, TX 75766
 903-586-8283
 sales@venting.biz
 BuildersBest.com

PRIMEX RDV SERIES ROUND EAVE (SOFFIT) VENT



PRODUCT SPECIFICATIONS PLEASE SEE REVERSE FOR CURRENT PRIMEX TECH SPECS

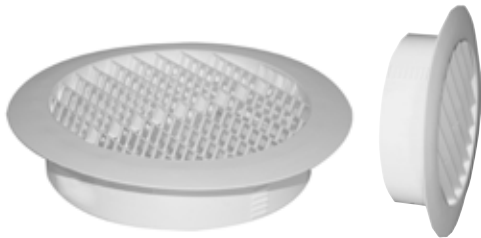
Round soffit vent for Intake or exhaust made of UV-stabilized polymer resin.

- Molded in mesh screen
- UV Stabilized Polymer resin
- Secure friction fit

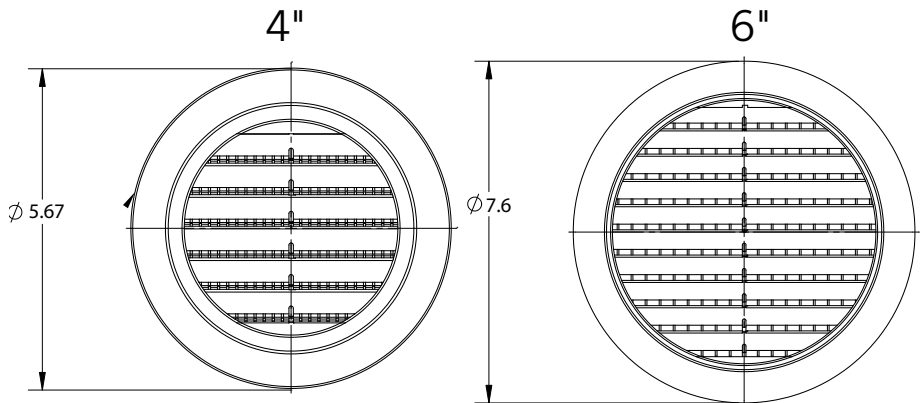
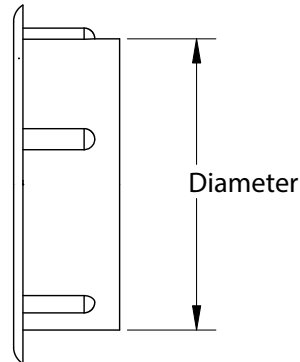
PART NUMBERS

Part numbers shown are stocked.

Other Primex items are special orders.



| Dia. | Tail | Color | Screen | Qty | Old Case # | New Case # | Package |
|------|------|-------|------------|-----|------------|------------|---------|
| 4" | 1.7 | white | bug screen | 70 | 111869 | RDV4S01 | Bulk |
| 6" | 1.4 | white | bug screen | 30 | 111875 | RDV6S01 | Bulk |



LABELS

Builder's Best is an
 Authorized Primex Distribution Partner
 Primex is Made in Canada



WARRANTY

Please contact Primex info@primexvents.com for warranty information.

Eave plastic primex RDV spec sheet V4 3/1/21

RDV Series Round Soffit Vent

Technical Data Sheet

FEATURES & BENEFITS

- Helps prevent peeling paint by removing moisture from wall cavities.
- Extra long collar for better hose or duct connection.
- Molded-in mesh bug screen.
- Secure friction fit.
- Made from durable, one-piece molded plastic.
- Quick and easy installation.
- Pair with optional Primex 4-inch Squeeze Elbow (EB4x90) for 2x4 stud installation.

COLOURS

- Snow White (01)

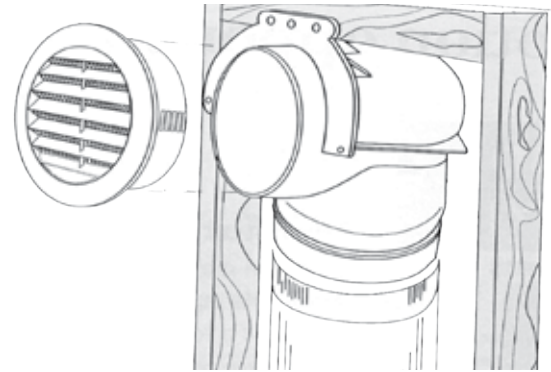
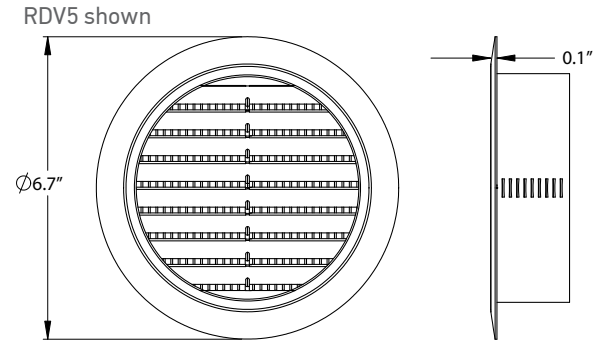
APPLICATIONS

- Heat Recovery Venting (HRV)
- Bathroom Venting
- Intake
- Range Venting

PART NUMBER/SIZING

| Part # | Size | Free Area | Description | Pkg |
|--------|---------|-------------|-----------------------|--------|
| RDV2S | 2" Dia. | 1.1 sq. in | Fits 2" diameter duct | 50/bag |
| RDV4S | 4" Dia. | 4.0 sq. in | Fits 4" diameter duct | 70/box |
| RDV5S | 5" Dia. | 6.4 sq. in | Fits 5" diameter duct | 50/box |
| RDV6S | 6" Dia. | 10.3 sq. in | Fits 6" diameter duct | 30/box |

TECHNICAL DRAWING



4" Round Vent installed with Primex's
'Squeeze Elbow' EB4x90