



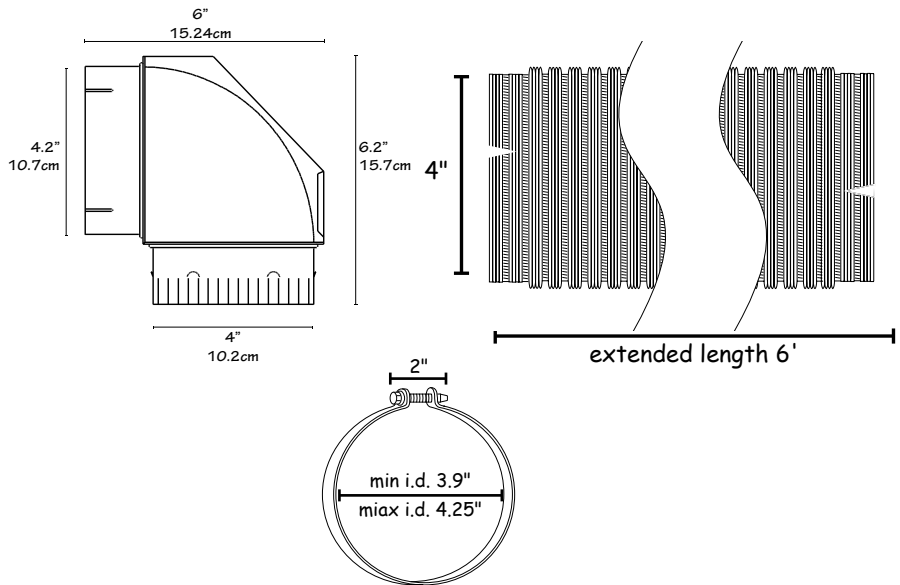
**Builder's Best, Inc.**  
 201 Broiles Drive  
 Jacksonville, TX 75766  
 903-586-8283  
 sales@buildersbest.com  
 BuildersBest.com

# CLOSE LOOP™ UL® DRYER VENT KIT

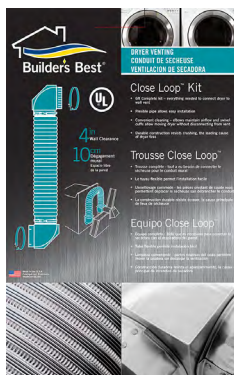
## PRODUCT DESCRIPTION

The 6' universal dryer vent kit features one 6 foot section of pipe attached to two Close Elbows® and two clamps for wall and dryer connections. The kit installs in 4.5" when the wall pipe is trimmed flush. Clamps are provided for wall and dryer connections. Swiveling collars on the elbows allow for the dryer to be pulled away from the wall for cleaning without disconnecting the system.

Elbows are fastened to the duct with clamps so that they can be easily disassembled to meet a variety of installation challenges.



## DISPLAY SAMPLES



## KIT CONTAINS

- One - 6 foot duct sections attached to two Close Elbows®
- Two - steel screw clamps for wall and dryer connections

## RECOMMENDATIONS

- Meets UL2158A, the clothes dryer venting certification.
- Clothes dryer manufacturers and building codes recommend all metal venting.

## PERFORMANCE DATA

- Pressure rating: Maximum positive and negative UL 12" w.g.,
- Operating Temp. range: -100°F to +430°F
- Flame Spread: 0
- Smoke Developed: 0

## PART NUMBERS

Dia.	Length	Elbows	Clamps	Each #	Qty	Case #	Package	UPC	Labeled
4"	6'	2 Close Elbows®	2 steel screw	11693	4	111693	Ind. Box	722048116931	•
4"	6'	2 Close Elbows®	2 steel screw	11926	4	111926	Display Box	722048119260	•

## LABELS



## WARRANTY

COMPLETE WARRANTY STATEMENT AT [HTTPS://WWW.BUILDERSBEST.COM](https://www.buildersbest.com)

Close Loop UL Dryer Vent Kit Spec Sheet V3 061821