



**Builder's Best, Inc.**  
 201 Broiles Drive  
 Jacksonville, TX 75766  
 903-586-8283  
 sales@buildersbest.com  
 BuildersBest.com

# Indoor Lint Trap



## DESCRIPTION

The Lint Trap is used to vent clothes dryers indoors temporarily.

## PRODUCT FEATURES

- Plastic bucket features twist lock canister which separates for cleanup

## WARNINGS

- Clothes dryers should always be vented to the outside.
- This product should only be used temporarily.
- It must be cleaned promptly after each load.
- It cannot be used with gas dryers.
- This product is not recommended by Builder's Best as permanent dryer venting.
- This product is not recommended by clothes dryer manufacturers as dryer venting.
- Check your manuals as this product may invalidate warranties.
- Check local building codes for appropriate use.

## KITS MAY INCLUDE:



STEEL SCREW CLAMP SPRING CLAMP



SILVERDUCT™ FOIL

## SAFETY PRECAUTIONS

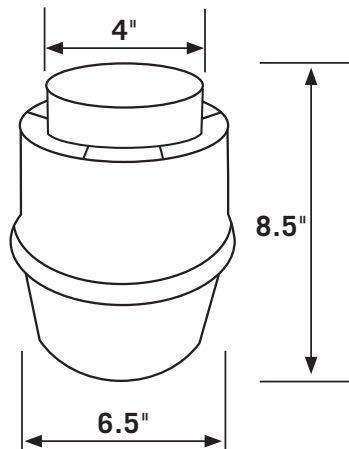
Manufacturer assumes no responsibility for failure due to improper installation. Check your installation instructions and your local building codes for proper use. Builder's Best, dryer manufacturers, and building codes recommend venting to the outside and the use of all metal duct as dryer venting.

**This product should only be used temporarily until an outside vent can be installed.**

- DO NOT USE THIS PRODUCT TO VENT GAS DRYERS.
- EMPTY BUCKET AND REPLACE WATER BETWEEN LOADS.



**Safety  
 Precautions**



## PART NUMBERS

Description	Clamps	Duct	Each #	Qty	Case #	Package	Labeled	UPC
Bucket Only	n/a	n/a	10496	48	110496	bulk		722048104969
Bucket Only	n/a	n/a	10646	9	110848	Display Box	•	722048106468
Kit	2 spring	4" x 5' SilverDuct™	10597	9	110597	Display Box	•	722048105973
Kit	2 steel screw	4" x 5' V220	10497	3	110497	Ind. Box	•	722048104976

## LABELS



## WARRANTY

Complete Warranty Statement at <https://www.buildersbest.com>