



Builder's Best, Inc.
 201 Broiles Drive
 Jacksonville, TX 75766
 903-586-8283
 sales@buildersbest.com
 BuildersBest.com

SAF-T-DUCT® FOIL TAPE - MODEL 2158A



DESCRIPTION

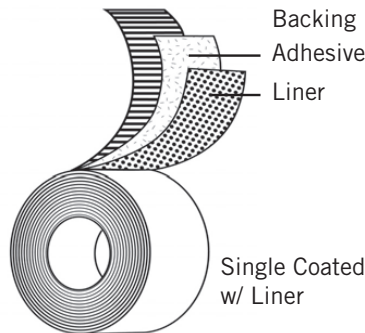
SAF-T-DUCT® Foil tape is used to seal connections between Class 0 & Class 1 ducts and air connectors.

PRODUCT FEATURES

- Easy unwind
- Excellent adhesion to duct
- Provides long-term anchorage and strong cohesive bond for long-term durability
- Superior adhesion even at extremely low or high temperatures

PRODUCT SPECIFICATIONS

- 2.5" wide by 60 yard length
- Aluminum foil printed backing
- Aggressive acrylic adhesive protected by a bleached kraft paper liner
- Complies with VOC requirements of SCAQMD Rule 1168
- Meets UL® 181A-P standard for use on fiberglass duct closure systems
- Meets UL® 181B-FX standard for use on flexible duct closure systems



Text	Typical Value	Test Method
Total Thickness:	4.9 mills	(ASTM D-1000)
Adhesion to Steel:	68 oz./in.	(PSTC-1)
Adhesion to Backing:	60 oz./in.	(PSTC-1)
Tensile Strength:	23 lb./in.	(ASTM D-1000)
Operating Temperature Range:	-28°F to 325°F	
Installation Temperature Range:	-10°F to 200°F	
Flame Speed:	3	(UL® 723)
Smoke Developed:	0	(UL® 723)
VOC Content:	<30 g/l	
Recommended storage conditions:	40-60% Humidity, 60°F - 80°F	

PART NUMBERS

Description	Each #	Qty	Case #	Package	UPC
2.5" wide by 60 yard roll	11704	16	111704	Display Label	722048117044

LABELS



WARRANTY

Complete warranty statement at <https://buildersbest.com/warranty/>
 Accessory SAF-T-DUCT® FOIL TAPE V4 spec sheet V4 6/19/23