



Builder's Best, Inc.
 201 Broiles Drive
 Jacksonville, TX 75766
 903-586-8283
 sales@buildersbest.com
 BuildersBest.com

DRYER OFFSET ELBOW®



DESCRIPTION

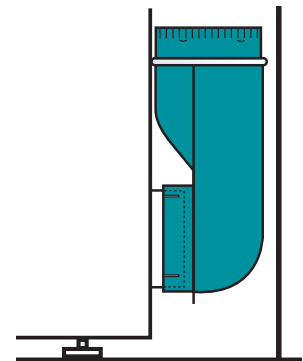
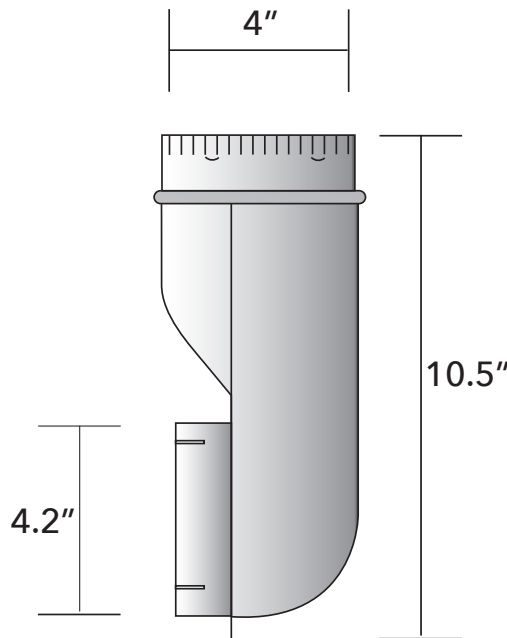
The Dryer Offset Elbow is designed to make 90° turns within 4". It can be used when the outlet pipe on the dryer protrudes up to 2.5" and cannot be trimmed. It can also be used on the wall outlet pipe when it protrudes and cannot be trimmed.

PRODUCT FEATURES

- One Snap-Lock™ slotted collar, swiveling
- One Snap-Lock™ crimped collar

PRODUCT SPECIFICATIONS

- Aluminum



ON DRYER

DISPLAY CARD



PART NUMBERS

Dia.	Collar 1	Collar 2	Each #	Qty	Case #	Package	UPC	Labeled?
4"	male (crimped)	female rotates	10165	4	110165	Display Card	722048101654	•
4"	male (crimped)	female rotates	10165	20	010155	Display Card	722048101654	•
4"	male (crimped)	female rotates	10165	20	210165	Display Card	722048101654	•
4"	male (crimped)	female rotates	10110	20	110110	Bulk		

LABELS

