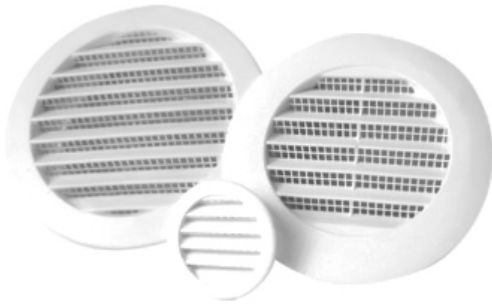




**Builder's Best, Inc.**  
 201 Broiles Drive  
 Jacksonville, TX 75766  
 903-586-8283  
 sales@buildersbest.com  
 BuildersBest.com

# PRIMEX RDV SERIES ROUND EAVE (SOFFIT) VENT



## PRODUCT SPECIFICATIONS PLEASE SEE REVERSE FOR CURRENT PRIMEX TECH SPECS

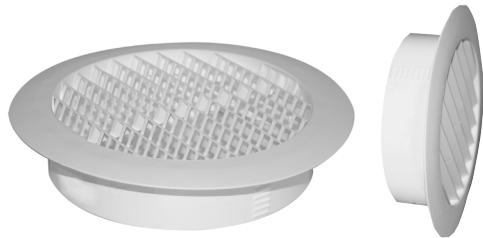
Round soffit vent for Intake or exhaust made of UV-stabilized polymer resin.

- Molded in mesh screen
- UV Stabilized Polymer resin
- Secure friction fit

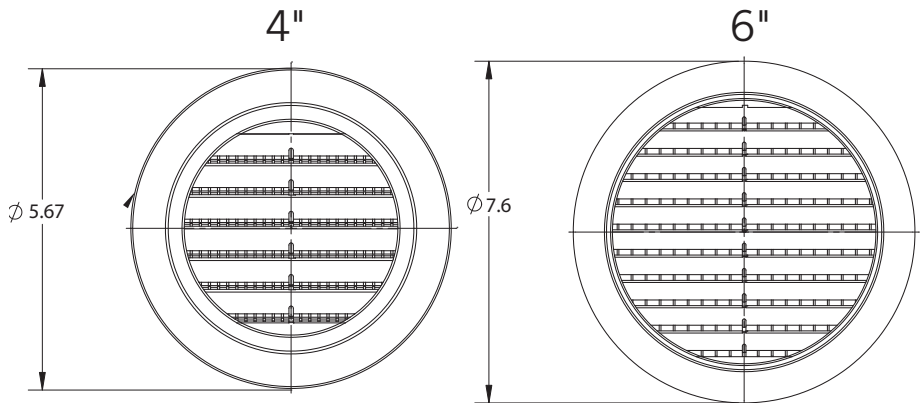
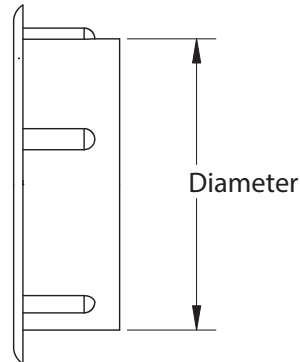
## PART NUMBERS

Part numbers shown are stocked.

Other Primex items are special orders.



Dia.	Tail	Color	Screen	Qty	Old Case #	New Case #	Package
4"	1.7	white	bug screen	70	111869	RDV4S01	Bulk
6"	1.4	white	bug screen	30	111875	RDV6S01	Bulk



## LABELS

Builder's Best is an  
 Authorized Primex Distribution Partner  
 Primex is Made in Canada by Menzies Group



## WARRANTY

Please contact [hvac@menzies-metal.com](mailto:hvac@menzies-metal.com) for warranty information.

# RDV Series Round Soffit Vent

## Technical Data Sheet

### FEATURES & BENEFITS

- Helps prevent peeling paint by removing moisture from wall cavities.
- Extra long collar for better hose or duct connection.
- Molded-in mesh bug screen.
- Secure friction fit.
- Made from durable, one-piece molded plastic.
- Quick and easy installation.
- Pair with optional Primex 4-inch Squeeze Elbow (EB4x90) for 2x4 stud installation.

### COLOURS

- Snow White (01)

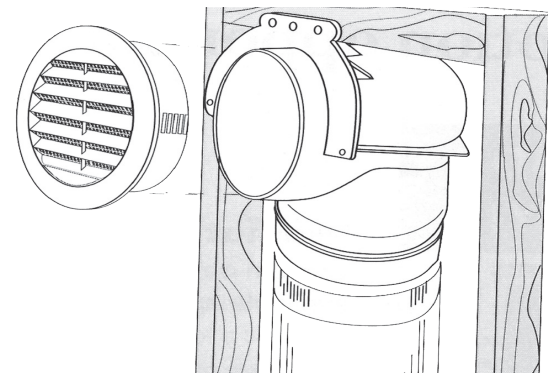
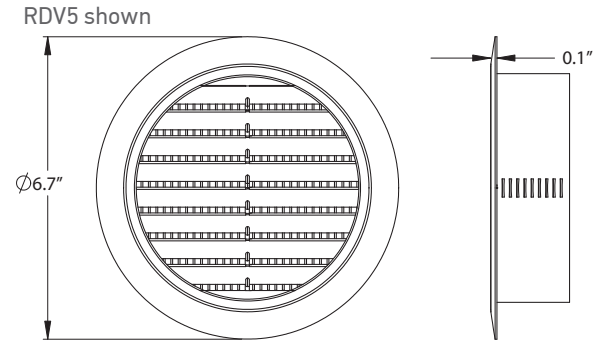
### APPLICATIONS

- Heat Recovery Venting (HRV)
- Bathroom Venting
- Intake
- Range Venting

### PART NUMBER/SIZING

Part #	Size	Free Area	Description	Pkg
RDV2S	2" Dia.	1.1 sq. in	Fits 2" diameter duct	50/bag
RDV4S	4" Dia.	4.0 sq. in	Fits 4" diameter duct	70/box
RDV5S	5" Dia.	6.4 sq. in	Fits 5" diameter duct	50/box
RDV6S	6" Dia.	10.3 sq. in	Fits 6" diameter duct	30/box

### TECHNICAL DRAWING



4" Round Vent installed with Primex's  
'Squeeze Elbow' EB4x90