



Builder's Best, Inc.  
201 Broiles Drive  
Jacksonville, TX 75766  
903-586-8283  
sales@buildersbest.com  
BuildersBest.com

# Aluminum Roof Vent - Mill Finish ARV620 & ARV624

(Dimensions on reverse)

## DESCRIPTION

The ARV is a heavy duty aluminum Roof Vent hood.

## PRODUCT FEATURES

- Riveted construction, no caulk
- Draw-formed base

## PRODUCT SPECIFICATIONS

- 24 gauge mill finish aluminum
- Flapper

## DIMENSIONS

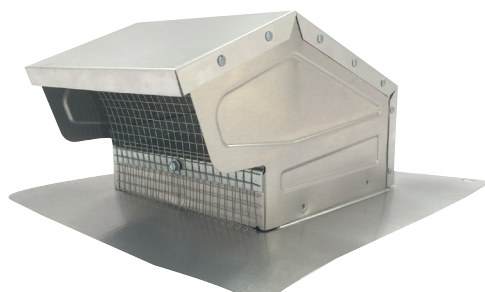
- Dimensions on page 2

## RECOMMENDATION

Recommended for 4/12 roof pitch and steeper.  
Not recommended for flat roofs.



011749



011748

## ARV620 flapper no screen

Dia.	Tail	Flapper	Screen	Each #	Qty	Case #	Package	UPC labeled?	UPC
4"	flush	flapper	n/a	11751	1	011751	Ind. Box	•	722048117518
4"	with collar	flapper	n/a	11746	1	011746	Ind. Box	•	722048117464

## ARV624 flapper & screen

Dia.	Tail	Flapper	Screen	Each #	Qty	Case #	Package	UPC labeled?	UPC
4"	flush	flapper	¼"x¼" removable	11748	1	011748	Ind. Box	•	722048117488
4"	with collar	flapper	¼"x¼" removable	11749	1	011749	Ind. Box	•	722048117495
6"	flush	flapper	¼"x¼" removable	11795	1	011795	Ind. Box	•	722048117952
6"	with collar	flapper	¼"x¼" removable	11796	1	011796	Ind. Box	•	722048117969
6"-8" (3¼"x10")	flush	flapper	¼"x¼" removable	11754	1	011754	Ind. Box	•	722048117549
7"	flush	flapper	¼"x¼" removable	11747	1	011747	Ind. Box	•	722048117471
7"	with collar	flapper	¼"x¼" removable	11753	1	011753	Ind. Box	•	722048117532

## Labels



## Warranty

Complete Warranty Statement at <https://www.buildersbest.com>



Builder's Best, Inc.  
 201 Broiles Drive  
 Jacksonville, TX 75766  
 903-586-8283  
 sales@buildersbest.com  
 BuildersBest.com

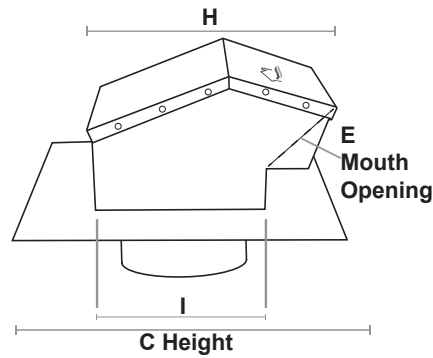
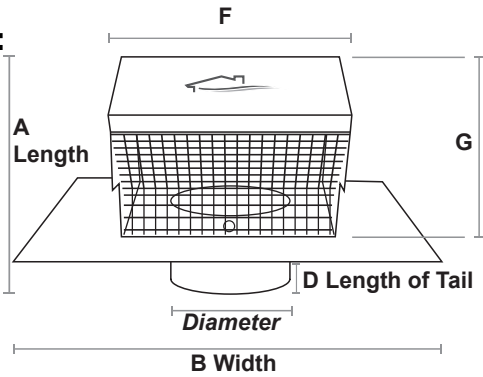
# Aluminum Roof Vent - Mill Finish ARV620 & ARV624

(PNs and Specs on reverse)

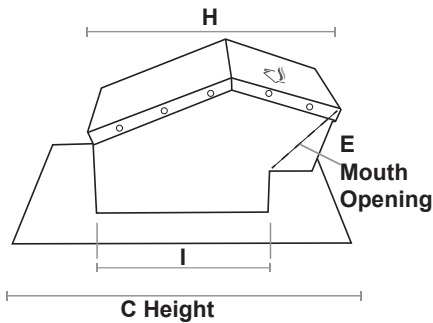
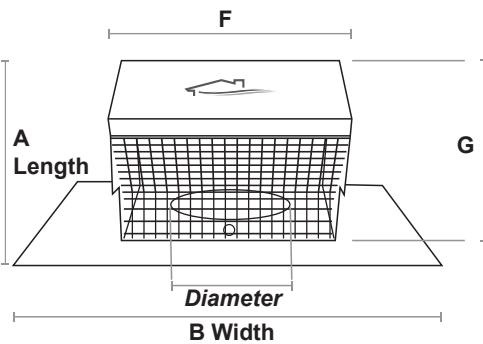
## Dimensions (in inches)

Diameter	Collar or Opening:	A	B	C	D	E	F	G	H	I	K	L	collar
4"	flush	4.75	10	11	n/a	3	6	4.75	8.5	6.125	n/a	n/a	n/a
4"	collar	7.25	10	11	2.375	3	6	4.75	8.5	6.125	n/a	n/a	3.375
6"	flush	7	14	14.4375	n/a	4.75	8.5	7	12.25	8.5	n/a	n/a	n/a
6"	collar	9.5	14	14.4375	1.75	4.75	8.5	7	12.25	8.5	n/a	n/a	2.875
7"	flush	7	14	14.4375	n/a	4.75	8.5	7	13.25	11	n/a	n/a	n/a
7"	collar	9.5	14	14.4375	1.75	4.75	8.5	7	13.25	11	n/a	n/a	2.75
*	6"-8" (3¼" x 10")	9.5	15.675	16	n/a	4.75	11.625	7	15.5	11.5	6.5	10.25	n/a

### Collar:



### Flush:



### \* 6"-8" (3¼" x 10") Draw formed base:

