



Builder's Best, Inc.
 201 Broiles Drive
 Jacksonville, TX 75766
 903-586-8283
 sales@buildersbest.com
 BuildersBest.com

BROAD BAND SIPHON VENTILATOR™



DESCRIPTION

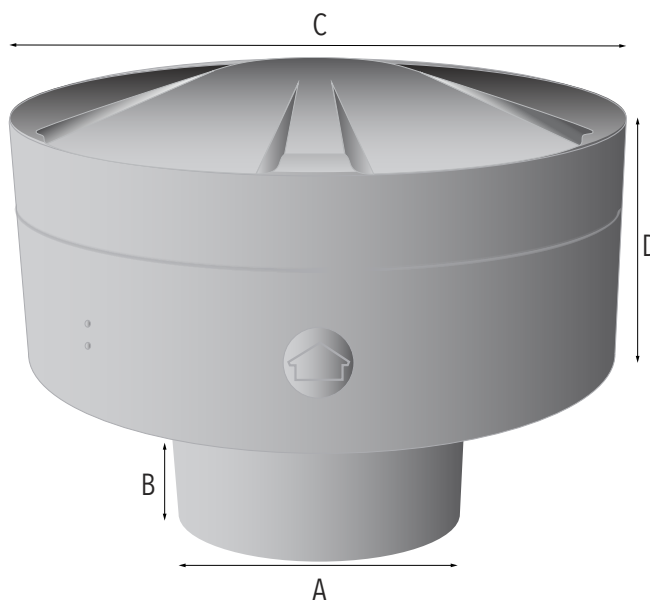
- Heavy duty galvanized steel roof vent cap to efficiently evacuate fumes from flues or pipes. This cap provides maximum protection from the weather and creates a strong siphoning action which helps prevent downdrafts.

SPECIFICATIONS

- 26 Gauge Galvanized steel construction for corrosion resistance
- Fits into a Type B gas vent
- Ribbed cap and wide band
- Large unrestricted outlet

DIMENSIONS

Part #	A	B	C	D
010939	3"	2 3/8"	9"	5"
010940	4"	2.5"	10"	5"
010941	5"	2 3/8"	13.125"	5"
010942	6"	2.5"	12"	5"
010943	7"	2.5"	13"	5"
010944	8"	2 3/8"	14"	5"
010945	9"	2 3/8"	16"	5"
010946	10"	2 3/8"	18"	6"
010947	12"	2.250"	17.5"	6"



PART NUMBERS

Tail Dia.	Overall Dia.	Height	Each #	Qty	Case #	Package
3"	11"	6"	10939	1	010939	Ind. Box
4"	11"	6"	10940	1	010940	Ind. Box
5"	15"	7.5"	10941	1	010941	Ind. Box
6"	15"	7.5"	10942	1	010942	Ind. Box
7"	15"	7.5"	10943	1	010943	Ind. Box
8"	15"	7.5"	10944	1	010944	Ind. Box
9"	20"	10"	10945	1	010945	Ind. Box
10"	20"	10"	10946	1	010946	Ind. Box
12"	20"	10"	10947	1	010947	Ind. Box

LABELS



WARRANTY

Complete Warranty Statement at <https://www.buildersbest.com>