



Builder's Best, Inc.
 201 Broiles Drive
 Jacksonville, TX 75766
 903-586-8283
 sales@buildersbest.com
 BuildersBest.com

CREATIVE CROWN VENT CAP



SPECIFICATIONS

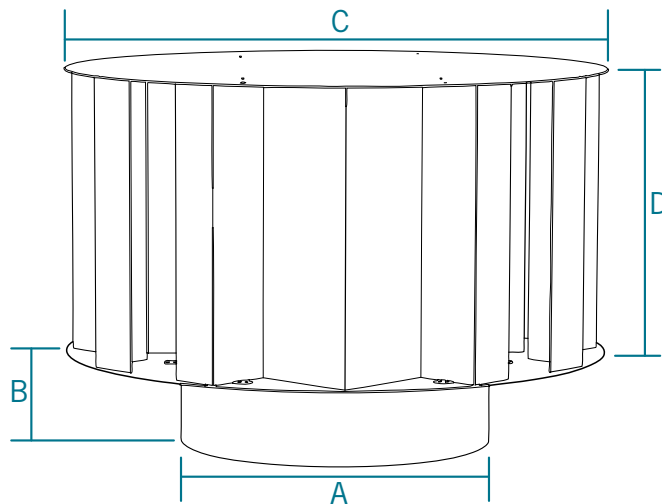
- 26 Gauge Galvanized steel construction for corrosion resistance
- Designed to fit over a Type B gas vent
- Riveted assembly for long life

FEATURES AND BENEFITS

- Designed to efficiently evacuate fumes from flues or pipes
- Designed to fit over a Type B gas vent
- Helps eliminate down-drafts
- May also be used as a storm-proof air intake or exhaust

DIMENSIONS

Part #	A	B	C	D
010921	3.625"	2.250"	8.000"	4.500"
010922	4.625"	2.250"	9.000"	5.500"
010923	5.625"	2.250"	10.625"	6.000"
010924	6.625"	2.250"	11.000"	7.000"
010925	7.625"	3.500"	13.750"	6.500"
010926	8.625"	3.500"	15.125"	8.000"
010927	9.625"	3.500"	17.500"	8.500"
010928	10.625"	3.500"	19.000"	9.250"
010929	12.625"	3.500"	22.000"	11.500"



PART NUMBERS

Tail Dia.	Cap Dia.	Each #	Qty	Case #	Package
3"	8	10921	1	010921	Ind. Box
4"	9	10922	1	010922	Ind. Box
5"	10.625	10923	1	010923	Ind. Box
6"	11	10924	1	010924	Ind. Box
7"	13.750	10925	1	010925	Ind. Box
8"	15.125	10926	1	010926	Ind. Box
9"	17.5	10927	1	010927	Ind. Box
10"	19	10928	1	010928	Ind. Box
12"	22	10929	1	010929	Ind. Box

LABELS



WARRANTY

Complete Warranty Statement at <https://www.buildersbest.com>