

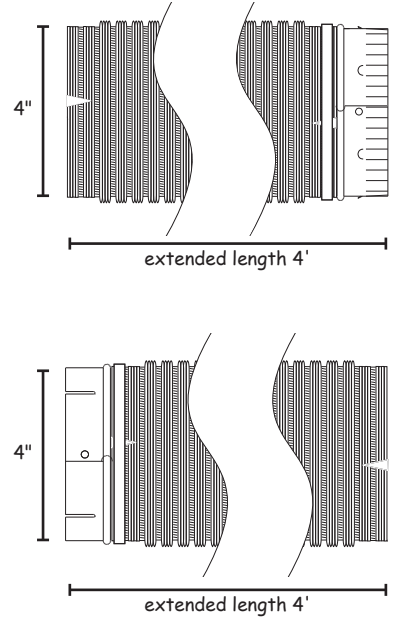
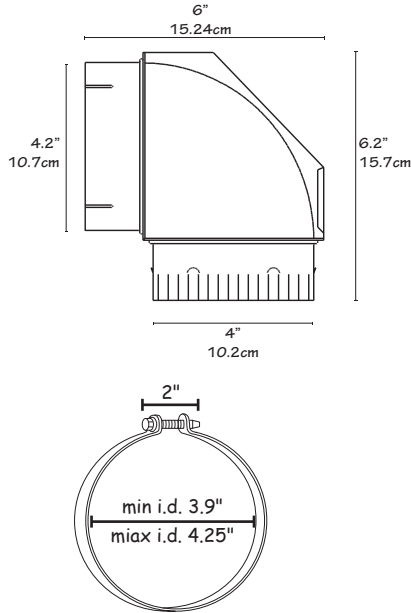
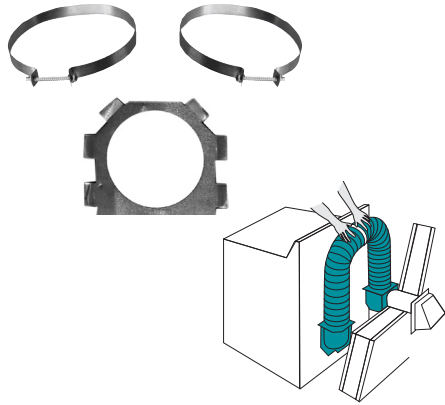


Builder's Best, Inc.
 201 Broiles Drive
 Jacksonville, TX 75766
 903-586-8283
 sales@buildersbest.com
 BuildersBest.com

OTT OVER-THE-TOP® DRYER VENT KIT

PRODUCT DESCRIPTION

The 8' universal dryer vent kit features two 4 foot sections of pipe attached to two Close Elbows® and two clamps for wall and dryer connections. The kit installs in 4.5" when the wall pipe is trimmed flush and the wall plate is used. Clamps are provided for wall and dryer connections and are not required for the final Over-The-Top® snap-lock™ connect of the duct. Swiveling collars on the elbows allow for the dryer to be pulled away from the wall for cleaning without disconnecting the system.



KIT CONTAINS

- Two - 4 foot duct sections attached to two Close Elbows®
- Two - steel screw clamps for wall and dryer connections
- One - wall plate for flush clearance

DISPLAY SAMPLE



RECOMMENDATIONS

- PN 11920 meets UL2158A, the clothes dryer venting certification.
- Clothes dryer manufacturers and building codes recommend all metal venting.

PERFORMANCE DATA

- Pressure rating: Maximum positive and negative UL 12" w.g., non-UL 6" w.g.
- Operating Temp. range: -100°F to +430°F
- Flame Spread: 0
- Smoke Developed: 0

PART NUMBERS

Dia.	Length	Elbows	Clamps	Each #	Qty	Case #	Package	UPC	Labeled
4"	8'	2 Close Elbows®	2 steel screw	10171	4	110171	Display Box	722048101715	•
4"	8'	2 Close Elbows®	2 steel screw	10127	6	110127	Bulk	722048101272	
UL® Listed 2158A version:									
4"	8'	2 Close Elbows®	2 steel screw	11920	4	111920	Ind. Box	722048119208	•

LABELS



WARRANTY

COMPLETE WARRANTY STATEMENT AT [HTTPS://WWW.BUILDERSBEST.COM](https://www.buildersbest.com)

Kit OTT OverTheTop dryer vent kit spec sheet V3 6/30/23