

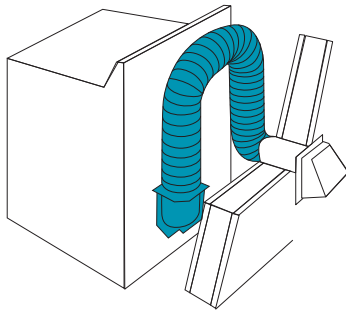
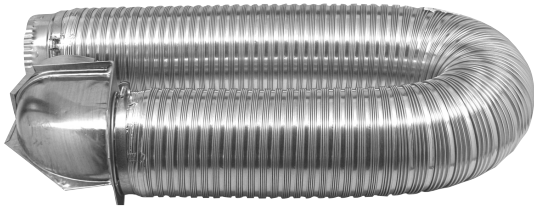


Builder's Best, Inc.
201 Broiles Drive
Jacksonville, TX 75766
903-586-8283
sales@buildersbest.com
BuildersBest.com

SEK-TD SINGLE ELBOW UL® DRYER VENT KIT

PRODUCT DESCRIPTION

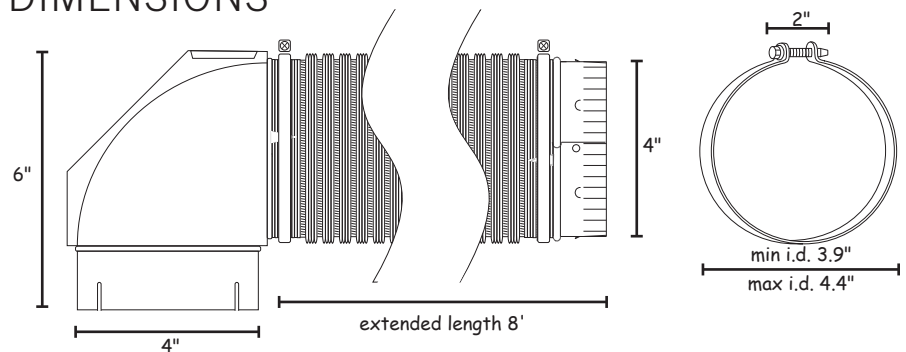
The 8' Single Elbow Dryer Vent Kit is UL2158A listed for clothes dryer venting. It features one 8 foot section of pipe attached to one Close Elbow®. Two clamps are provided for wall and dryer connections.



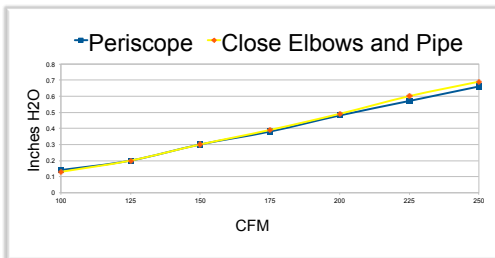
KIT CONTAINS

- One - 8 foot duct
- One - Close Elbow®
- Two - steel screw clamps for wall and dryer connections

DIMENSIONS



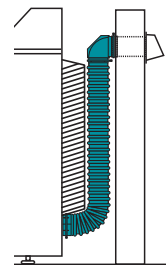
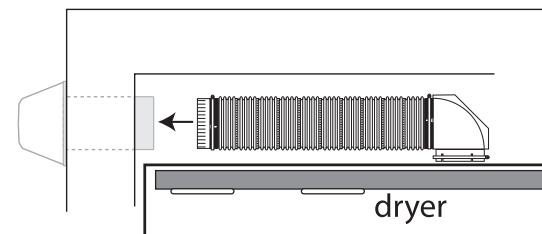
AIRFLOW



PERFORMANCE DATA

- Pressure rating: Maximum positive and negative UL 12" w.g., non-UL 6" w.g.
- Operating Temp. range: -100°F to +430°F
- Flame Spread: 0
- Smoke Developed: 0

SUGGESTED INSTALLATIONS



RECOMMENDATIONS

- Meets UL2158A the clothes dryer venting certification.
- Clothes dryer manufacturers and building codes recommend all metal venting.

PART NUMBERS

Dia	Length	Elbows	Clamps	Each #	Qty	Case #	Package	UPC	Labeled
4"	8'	1 Close Elbows®	2 steel screw	12423	4	112423	Ind. Box	722048124233	•

LABELS



WARRANTY

COMPLETE WARRANTY STATEMENT AT [HTTPS://WWW.BUILDERSBEST.COM](https://www.buildersbest.com)

Kit SEK Single Elbow UL spec sheet V4 6/30/23