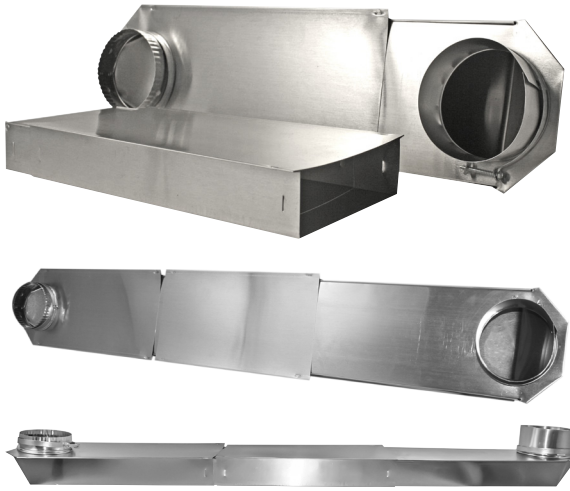




**Builder's Best, Inc.**  
 201 Broiles Drive  
 Jacksonville, TX 75766  
 903-586-8283  
 sales@buildersbest.com  
 BuildersBest.com

# Periscope 29-50"



## DESCRIPTION

The 29-50" Periscope is a rigid aluminum clothes dryer duct which telescopes to the top of most dryers.

## PRODUCT FEATURES

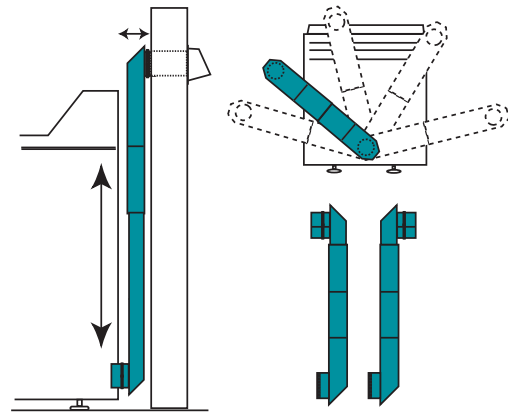
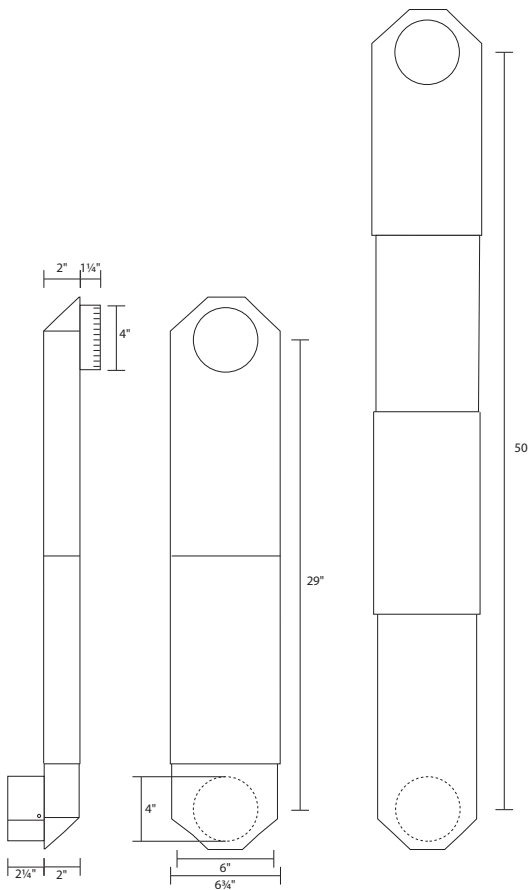
- Reaches the top of most dryers
- Four piece assembly
- Sections are reversible, for airflow same or opposite
- Smooth interior decreases air friction

## PRODUCT SPECIFICATIONS

- 2" x 6" rigid aluminum
- 4" Draw band swiveling female collar
- 4" Crimped swiveling snap-lock male fitting

## PART NUMBERS

Dia.	Length	Note	Each #	Qty	Case #	Package	UPC	Labeled?
4"	29-50"		10174	4	110174	Display Box	722048101746	•
4"	29-50"		10117	4	110117	Ind. Box	722048101173	•
n/a	23"	extension	10141	8	110141	Bulk		
n/a	43"	extension	10142	8	110142	Bulk	722048101425	



## RECOMMENDATIONS

- The International Mechanical Code recommends rigid metal duct for dryer exhaust as well as in-wall exhaust. IMC 504.6.1 & 504.8-3
- Dryer manufacturers specify "Only rigid or flexible metal vent shall be used for exhausting. Do not use plastic or metal foil vent."

## PERFORMANCE DATA AND AIRFLOW

Pressure Rating:

Positive: 6" WC max Negative: 6" WC max

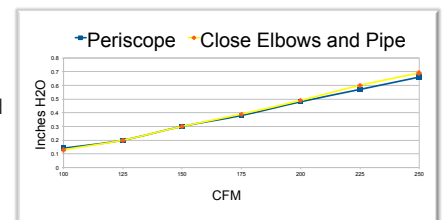
Maximum velocity: 5,000 FPM

Operating Temp. Range: -100°F to+ 430°F

Flame Spread 0 Smoke Developed 0

INSTALLATION: (Installation instructions are included inside each carton.)

Periscopes provide nearly the same airflow properties as one semi-rigid metal flexible pipe with two Close Elbows®.



## PATENTS:

US 5,653,631; 5,943,743; 6,035,495; 5,121,948; D.342,782

Canadian 2,062,123; 2,063,098; 2,201,956; 2,279,599

## LABELS



## WARRANTY

Complete Warranty Statement at <https://buildersbest.com>