



Builder's Best, Inc.
 201 Broiles Drive
 Jacksonville, TX 75766
 903-586-8283
 sales@buildersbest.com
 BuildersBest.com

In-Wall Periscope Galvanized & Aluminum

DESCRIPTION

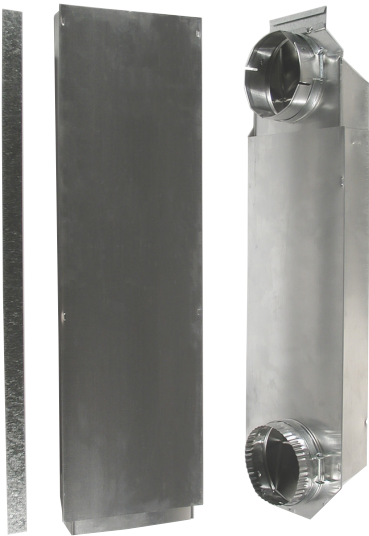
The In-Wall Periscope is a rigid clothes dryer duct for use in-wall or on-wall.

PRODUCT FEATURES

- Four piece assembly of 2" x 6" rigid material
- Standard 4" diameter fittings
one male crimped snap-lock™ and one female slotted snap-lock™
- Mounting strap included
- Sections are reversible, for airflow same or opposite
- Smooth interior decreases air friction

PRODUCT SPECIFICATIONS

- See material by part number below
- 4" Slotted female fitting
- 4" Crimped snap-lock male fitting

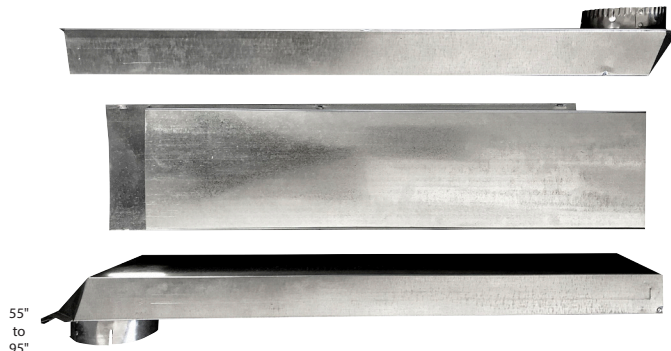
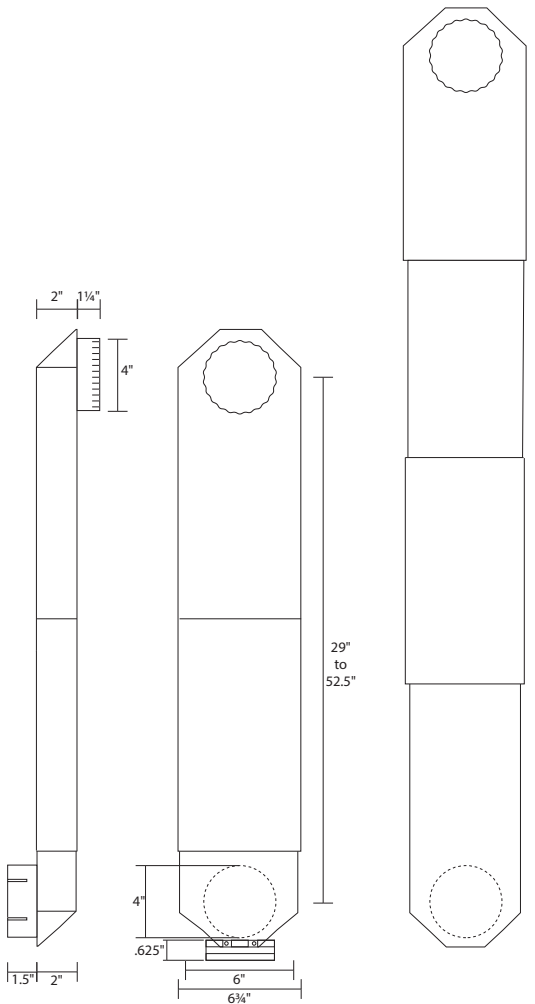


ALUMINUM IN WALL PERISCOPE



PART NUMBERS

Dia.	Length	Material	Each #	Qty	Case #	Package	UPC
4"	29"-72"	30 ga. Galvanized	10868	3	110868	Ind. Box	722048108684
4"	52"-95"	30 ga. Galvanized	10869	3	110869	Ind. Box	722048108691
4"	29"-72"	Aluminum	10094	3	110094	Display Box	722048100947
4"	29"-72"	Aluminum	10140	3	110140	Ind. Box	722048101401



GALVANIZED IN WALL PERISCOPE

RECOMMENDATIONS

- The International Mechanical Code recommends rigid metal duct for dryer exhaust as well as in-wall exhaust. IMC 504.6.1 & 504.8-3
- Dryer manufacturers specify "Only rigid or flexible metal vent shall be used for exhausting. Do not use plastic or metal foil vent."

PERFORMANCE DATA AND AIRFLOW

Pressure Rating:
 Positive: 6" WC max Negative: 6" WC max
 Maximum velocity: 5,000 FPM
 Operating Temp. Range: -100°F to+ 430°F
 Flame Spread 0 Smoke Developed 0
 INSTALLATION: (Installation instructions are included inside each carton.)

PATENTS:

US 5,653,631; 5,943,743; 6,035,495; 5,121,948; D.342,782
 Canadian 2,062,123; 2,063,098; 2,201,956; 2,279,599

INSTRUCTIONS & WARRANTY

at buildersbest.com

Periscope In-Wall V2 spec sheet 6/20/23

LABELS

